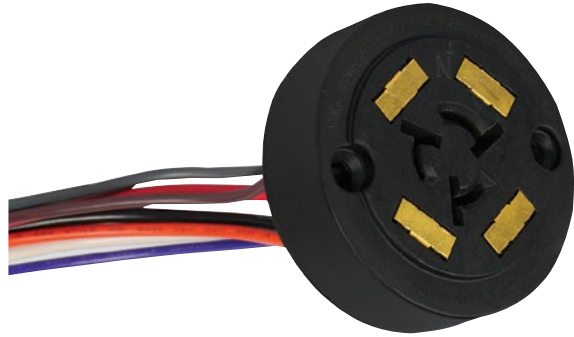


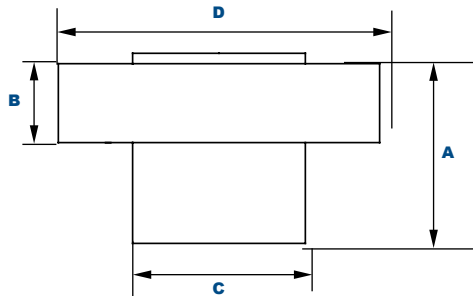
P18130R7

Twist Lock Receptacle with Integrated Controls for LED (7-Pin)

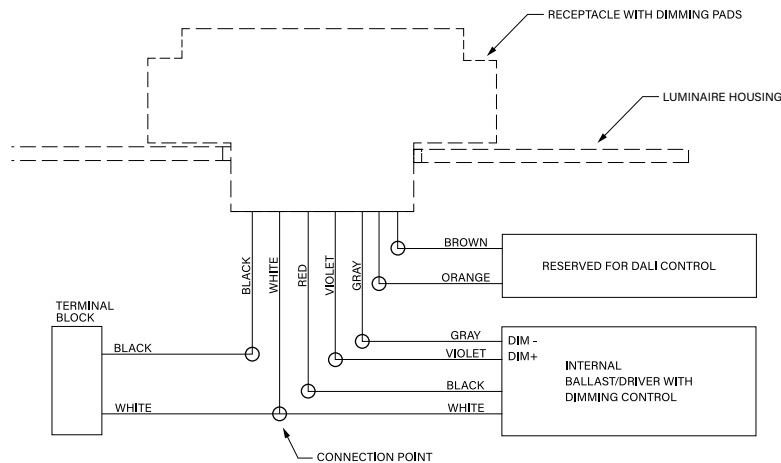


Dimensions

Diameter 1 (D)	2.6" (66mm)
Diameter 2 (C)	1.4" (36mm)
Height 1 (A)	1.4" (36mm)
Height 2 (B)	0.6" (15mm)



Wiring Diagram:



Features:

- UL773/ANSI C136.10-2006 Receptacle
- ANSI C136.41-2013 Dimming Control Between an External Locking Type Photocontrol and Ballast or Driver
- UV Stabilized Polycarbonate
- 12" #14 AWG AWM1015 (Power Leads); 12" #18 AWG, AWM1015 (Signal Leads)
- 30 VDC, 0.25A Max Signal Loading
- Signal Contacts (4) - Nickel Plated Phosphor Bronze, Gold Plated
- Skirt Gasket to Achieve IP65 Rating

Electrical Specifications:

- Input Voltage: 480VAC, 15 Amp Max
- Ambient Temperature: -40°C to +70°C
- Relative Humidity: 99%
- Listing: UL Recognized Component Mark