



POST TOP/PENDANT MOUNT



Specifications and Features:

LED

- Conformal Coating LED light engine
- CCT: Amber, LPS (1800K), 2200, 2700K, 3000K, 4000K, 5000K
- Static Colors Available - Contact Factory

Optical

- Types II, III, IV & V

Electrical

- Electronic Driver, 120-277V, 50/60Hz or 347/480V, 50/60Hz
- 0-10V Dimmable Driver
- Standard Surge Protection included (6kV line-line; 10k-V line-earth)

Housing

- Aluminum housing with 3" fitter.

Finish

- Super durable polyester powder coat finish. Custom finishes available, including patinas and all RAL colors.

Listings & Ratings

- ETL listed to UL 1598 standard for wet location
- LED is IP66 Rated

Warranty

- 5 year limited warranty

EPA: 2.1
 WEIGHT: 26 lbs (max.)

Order Information Example: AST1WA16PTP30W4KU3DEC1BK

AST1								
Model	Globe/Lens	Globe Size	Globe Mounting	LED Module	Voltage	Distribution	Cages	Standard Finish
AST1=Astro 1	WA=White (Opal) Acrylic WP=White (Opal) Polycarbonate FA=Frosted Acrylic FP=Frosted Polycarbonate PRSA=Prismatic Acrylic PRSP=Prismatic Polycarbonate	16=16" (Standard) 18=18" (Upgrade) 20=20" (Upgrade) 22=22" (Upgrade)	PTP=Post Top Plate PTMP=Pendant Mount for Wall Plate	See Chart on Page 2	U=120-277V H=347/480V	2=Type II 3=Type III 4=Type IV 5=Type V	DEC1=Half cage, 8 ribs* DEC3B=Half cage, 4 ribs* *Cages available in 16", 18" & 20" Globe Only	BK=Black BZ=Bronze DBZ=Dark Bronze WH=White GR=Green SM=Silver Metallic GY=Light Gray TBK=Textured Black CC=Custom Color (Consult Factory)



POST TOP/PENDANT MOUNT



6" Radiant™

6" Radiant Lumen Chart						
Initial lumen data						
CCT	LED Module	Input Watts	Type 2	Type 3	Type 4	Type 5
5K	10W5K	10	1217	1186	1204	1190
	15W5K	15	1826	1780	1806	1785
	20W5K	20	2434	2373	2408	2380
	30W5K	30	3238	3156	3203	3165
4K	10W4K	10	1175	1145	1162	1148
	15W4K	15	1762	1717	1743	1723
	20W4K	20	2349	2290	2324	2297
	30W4K	30	3124	3045	3091	3055
3K	10W3K	10	1132	1103	1120	1107
	15W3K	15	1698	1655	1680	1660
	20W3K	20	2264	2207	2240	2213
	30W3K	30	3011	2935	2979	2944
27K	10W27K	10	1098	1070	1086	1073
	15W27K	15	1647	1605	1629	1610
	20W27K	20	2196	2141	2172	2147
	30W27K	30	2921	2847	2889	2855
22K	10W22K	10	1032	1006	1021	1009
	15W22K	15	1548	1509	1532	1514
	20W22K	20	2064	2012	2042	2018
	30W22K	30	2745	2676	2716	2684
LPS	10WLPS	10	981	956	970	959
	15WLPS	15	1471	1434	1455	1438
	20WLPS	20	1961	1912	1940	1917
	30WLPS	30	2608	2542	2580	2550
AMBER	10WAM	10	838	817	829	819
	15WAM	15	1256	1225	1243	1228
	20WAM	20	1675	1633	1657	1638
	30WAM	30	2228	2172	2204	2178

This chart indicates INITIAL LUMENS. Lens choice will affect lumen output.

AVAILABLE IN STATIC COLORS - CONTACT FACTORY



POST TOP/PENDANT MOUNT

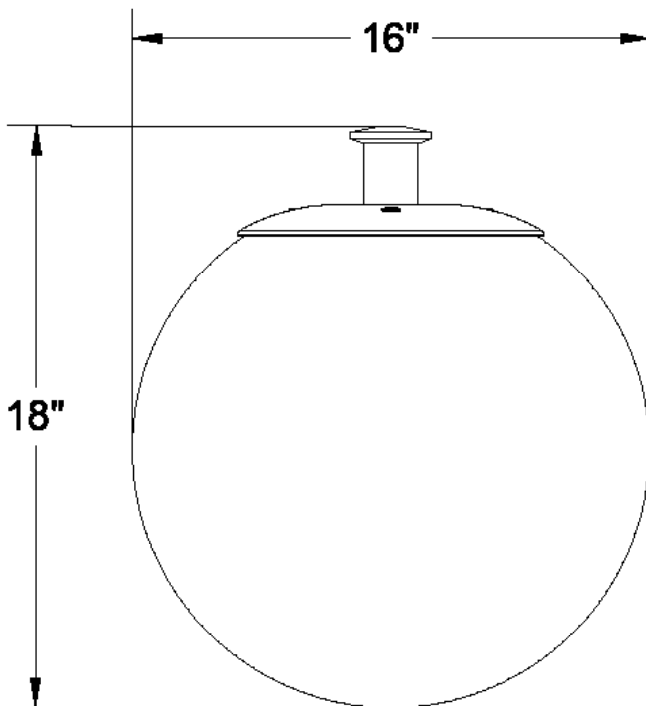


Cage (not available in 22"):

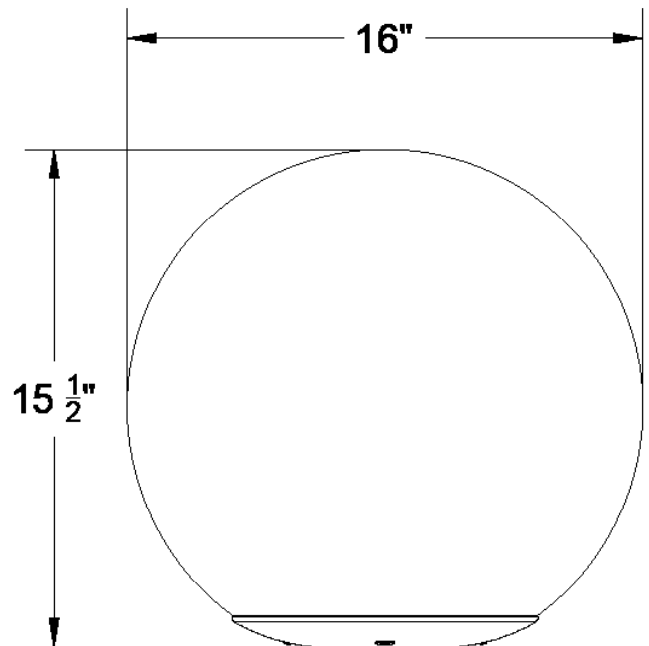


DEC1

DEC3B



Pendant Mounting (PTMP)



Post Top Plate Mounting (PTP)