



LED POST & PENDANT MOUNT



Post Mount (standard) - choose "N" under mounting options



Pendant Mount - choose "PEN" under mounting options

Specifications and Features:

Radiant™ LED

- Conformal Coating LED light engine
- CCT: Amber, LPS (1800K), 2200K, 2700K, 3000K, 4000K, 5000K
- Static Colors Available - Contact Factory

Optical

- Types I* II, III, IV, V (Type I available in 70w & higher only)

Electrical

- Electronic Driver, 120-277V, 50/60Hz or 347/480V, 50/60Hz
- 0-10V Dimmable Driver
- Standard Surge Protection included (6kV line-line; 10k-V line-earth)

Controls (adder)

- Button eye photo control (PC)
- House Side Shield (H)

Housing

- Cast aluminum cage & roof

Finish

- Super durable polyester powder coat finish over a chromate conversion coating. Custom finishes available, including patinas and all RAL colors.

Listings & Ratings

- ETL listed to UL 1598 standard for wet location and IP66
- LED is IP66 Rated

Warranty

- 5 year limited warranty

EPA: 2.3
 WEIGHT: 34 lbs

Order Information Example:		CARL1FA70W3KU5JNNBK		
Model	Globe/Lens	LED Module	Voltage	Distribution
CARL1=Carlsbad1	CA=Clear Acrylic, CP=Clear Polycarbonate FA=Frosted Acrylic, FP=Frosted Polycarbonate TG=Flat Tempered Glass, Clear, FG=Flat Tempered Glass, Frosted WA=White (Opal) Acrylic, PA=Pattern Acrylic, DA=Seeded Acrylic	See Chart on Page 2	U=120-277V H=347/480V	1=Type I* 2=Type II 3=Type III 4=Type IV 5=Type V *70W & above only
Finial	Mounting	Options	Finish (Standard)	
J=GF10 (Standard), B=GF2, C=GF3, D=GF4, F=GF6, G=GF7, H=GF8, I=GF9, K=GF12, O=GF17, P=GF18, V=GF24, N=None	N=None (Standard Post Top) WM=Wall Mount PEN=Pendant Mount	PC=Button Eye Photo Control H=House Side Shield N=None	BK=Black, BZ=Bronze, DBZ=Dark Bronze, WH=White GR=Green, SM=Silver Metallic, GY=Light Gray TBK=Textured Black, CC=Custom Color (Consult Factory)	



LED POST & PENDANT MOUNT



12" Radiant™



8" Radiant™

Lumen Output for Carlsbad 1

Clear Acrylic Lens

CCT	LED Module	Input Watts	Type 2	Type 3	Type 4	Type 5
5K	40W5K	40	4429	4437	4285	4526
	50W5K	50	5491	5493	5286	5539
	60W5K	60	6100	5989	5878	6265
	70W5K	70	6318	6451	6335	6710
	80W5K	80	7221	7372	7240	7669
	90W5K	90	8123	8294	8145	8628
4K	40W5K	40	4274	4282	4135	4367
	50W4K	50	5298	5301	5101	5345
	60W4K	60	5887	5779	5672	6046
	70W4K	70	6097	6225	6113	6475
	80W4K	80	6968	7114	6986	7400
	90W4K	90	7839	8003	7860	8326
3K	40W3K	40	4119	4126	3985	4209
	50W3K	50	5106	5109	4916	5152
	60W3K	60	5673	5570	5466	5826
	70W3K	70	5876	6000	5892	6241
	80W3K	80	6715	6856	6733	7132
	90W3K	90	7555	7713	7575	8024

****15% LLF for Frosted Lens****

****20% LLF for White/Opal Lens****

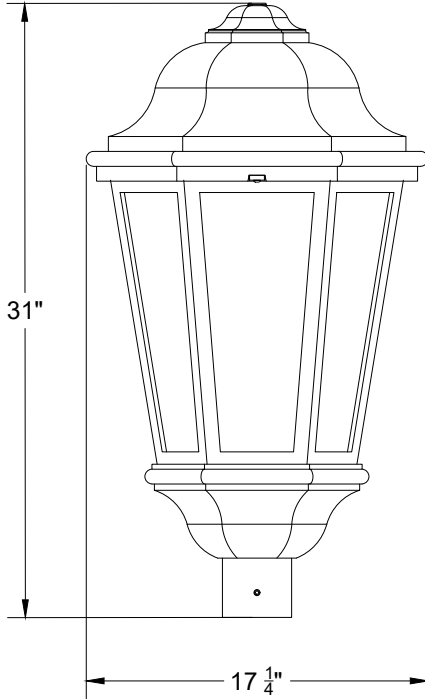
Contact the factory for Amber, LPS and 2200K lumen output



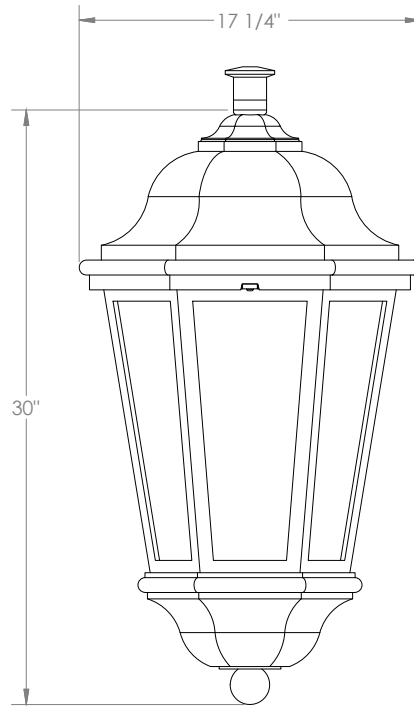
LED POST & PENDANT MOUNT



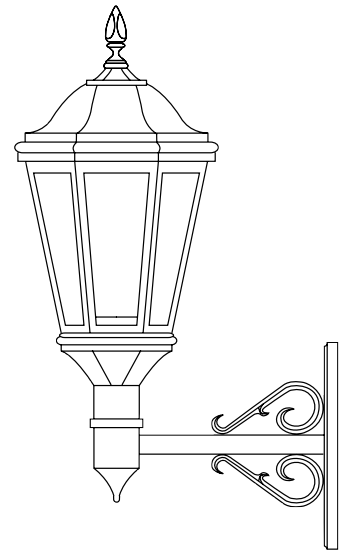
Post Mount (standard)-choose "N" under mounting options



Pendant Mount - choose "PEN" under mounting options



Wall Mount - choose "WM" under mounting options (shown with arm - order separately)



Finials



GF2 - 6"



GF3 - 6"



GF4 - 6"



GF6 - 4"



GF7 - 4.5"



GF8 - 4"



GF9 - 4.25"



GF10 - 3.5"



GF12 - 2.75"



GF17 - 4"



GF18 - 2.75"



GF24 - 4.75"