



LED POST TOP



With Globe



No Globe/Lens

EPA: 2.5
 WEIGHT: 38 lbs (max.)

Specifications and Features:

Radiant™ LED

- Conformal Coating LED light engine
- CCT: Amber, LPS (1800K), 2200K, 2700K, 3000K, 4000K, 5000K
- Static Colors Available - Contact Factory

Distribution

- Types I* II, III, IV, V (Type I available in 70w & higher only)

Electrical

- Electronic Driver, 120-277V, 50/60Hz or 347/480V, 50/60Hz
- 0-10V Dimmable Driver
- Standard Surge Protection included (6kV line-line; 10k-V line-earth)

Controls (Adder)

- Button eye photo control (PC)

Housing

- Constructed of cast aluminum, and features a hinged top for access into the lamp compartment, 3" slip fitter

Finish

- Super durable polyester powder coat finish over a conversion coating. Custom finishes available, including patinas and all RAL colors.

Listings & Ratings

- ETL listed to UL 1598 standard for wet location
- LED is IP66 Rated

Warranty

- 5 year limited warranty

Order Information Example: FLOR1CAC960W4KU3NJBK

FLOR1		C9						
Model	Globe/Lens	Capital	LED Module	Voltage	Distribution	Options	Finial	Finish (Standard Colors)
FLOR1= Florence 1 Post Top	NL=No Secondary Lens CA=Clear Acrylic CP=Clear Polycarbonate FA=Frosted Acrylic FP=Frosted Polycarbonate	C9=PLC9	See Chart on Page 2	U=120-277V H=347/480V	1=Type I* 2=Type II 3=Type III 4=Type IV 5=Type V *70W & above only	PC=Button eye photo control N=None	B=GF2, C=GF3 D=GF4, F=GF6 G=GF7, H=GF8 I=GF9, J=GF10 K=GF12, O=GF17 P=GF18, R=GF20, V=GF24 N=None	BK=Black BZ=Bronze DBZ=Dark Bronze WH=White GR=Green SM=Silver Metallic GY=Light Gray TBK=Textured Black CC=Custom Color (Consult Factory)



LED POST TOP



Radiant™



13" Radiant™



12" Radiant™



8" Radiant™

Raw Lumen Output

CCT	LED Module	Input Watts	Efficacy Range		Type 2	Type 3	Type 4	Type 5	CCT	LED Module	Input Watts	Efficacy Range		Type 2	Type 3	Type 4	Type 5
5K	10W5K	10	119	122	1217	1186	1204	1190	4K	10W4K	10	114	117	1175	1145	1162	1148
	15W5K	15	178	183	1826	1780	1806	1785		15W4K	15	172	176	1762	1717	1743	1723
	20W5K	20	237	243	2434	2373	2408	2380		20W4K	20	229	235	2349	2290	2324	2297
	30W5K	30	356	365	3651	3559	3612	3570		30W4K	30	343	352	3524	3435	3486	3445
	40W5K	40	510	509	5091	5100	4925	5202		40W4K	40	126	133	4913	4922	4753	5020
	50W5K	50	118	123	6311	6314	6076	6367		50W4K	50	113	119	6090	6093	5863	6144
	60W5K	60	117	125	7012	6884	6756	7201		60W4K	60	113	120	6767	6643	6520	6949
	70W5K	70	110	116	7262	7415	7282	7713		70W4K	70	106	112	7008	7155	7026	7443
	80W5K	80	110	116	8300	8474	8322	8815		80W4K	80	106	112	8009	8177	8030	8506
	90W5K	90	110	116	9337	9533	9362	9917		90W4K	90	106	112	9010	9199	9034	9570
	105W5K	105	131	128	12793	12470	12656	12507		105W4K	105	127	124	12345	12034	12213	12070
	120W5K	120	131	128	14620	14252	14464	14294		120W4K	120	127	124	14109	13753	13958	13794
	135W5K	135	131	128	16448	16033	16272	16081		135W4K	135	127	124	15872	15472	15702	15518
3K	10W3K	10	110	113	1132	1103	1120	1107	27K	10W27K	10	102	105	1049	1023	1038	1026
	15W3K	15	166	170	1698	1655	1680	1660		15W27K	15	161	165	1649	1607	1631	1612
	20W3K	20	221	226	2264	2207	2240	2213		20W27K	20	219	225	2249	2192	2225	2198
	30W3K	30	331	340	3396	3310	3360	3320		30W27K	30	321	330	3298	3215	3263	3224
	40W3K	40	121	128	4735	4743	4580	4838		40W27K	40	121	128	4497	4384	4449	4397
	50W3K	50	109	115	5869	5872	5651	5921		50W27K	50	109	115	5547	5407	5487	5423
	60W3K	60	109	116	6521	6402	6283	6697		60W27K	60	109	116	6596	6429	6525	6449
	70W3K	70	102	108	6754	6896	6772	7173		70W27K	70	102	108	7795	7598	7712	7621
	80W3K	80	102	108	7719	7881	7739	8198		80W27K	80	102	108	8845	8621	8750	8647
	90W3K	90	102	108	8683	8866	8707	9223		90W27K	90	102	108	9894	9644	9788	9673
	105W3K	105	122	119	11897	11597	11770	11632		105W27K	105	122	119	11543	11252	11419	11285
	120W3K	120	122	119	13597	13254	13452	13294		120W27K	120	122	119	13192	12859	13051	12897
	135W3K	135	122	119	15297	14911	15133	14955		135W27K	135	122	119	14991	14612	14830	14656

Contact the factory for Amber, LPS and 2200K lumen output



LED POST TOP



Capital



C9 (PLC-9)

Finials



GF2 - 6"



GF3 - 6"



GF4 - 6"



GF6 - 4"



GF7 - 4.5"



GF8 - 4"



GF9 - 4.25"



GF10 - 3.5"



GF12 - 2.75"



GF17 - 4"



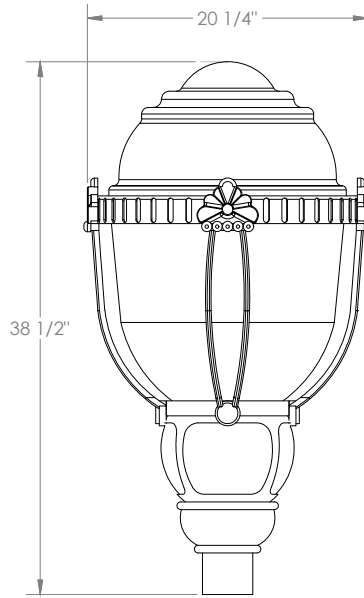
GF18 - 2.75"



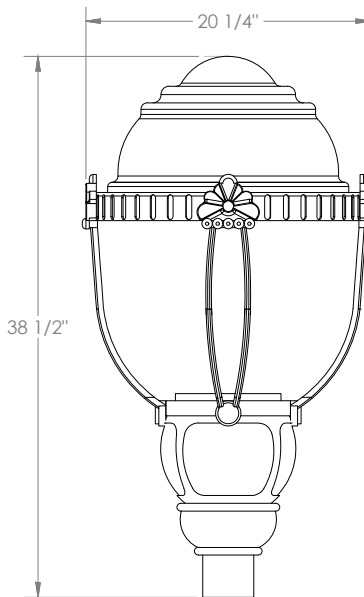
GF24 - 4.75"



LED POST TOP



With Globe



No Globe/Lens