



RADIANT™ LED PENDANT MOUNTS



Wide Shade (B1)



Narrow Shade (B2)

Specifications and Features:

Radiant™ LED

- Conformal Coating LED light engine
- CCT: Amber, LPS (1800K), 2200K, 2700K, 3000K, 4000K, 5000K
- Static Colors Available - Contact Factory

Distribution

- Types I* II, III, IV, V (Type I available in 70w & higher only)
- Full Cutoff

Electrical

- Electronic Driver, 120-277V, 50/60Hz or 347/480V, 50/60Hz
- 0-10v Dimmable Driver
- Standard Surge Protection included (6kV line-line; 10k-V line-earth)

Controls (Optional)

- Button eye photo control (PC)
- House Side Shield (H)

Housing

• Cast aluminum upper housing & spun aluminum lower shade. The luminaire itself is held in place with a mechanical attachment & connected to the pole's shaft by means of a cast aluminum hub fitter, welded to the arm & secured to the shaft by 3 set screws.

Finish

• Super durable polyester powder coat finish. Custom finishes available, including patinas and all RAL colors.

Listings & Ratings

- ETL listed to UL 1598 standard for wet location.
- LED is IP66 Rated

EPA: 2.4
 WEIGHT: 35 lbs (max.)

Order Information Example: BRI1B1NL80W4KU3PCBK

| BRI1 | | NL | | | | | |
|----------------------|----------------------------------|----------------------|-------------------------|--------------------------|--|---|---|
| Model | Spinning | Globe/Lens | LED Module | Voltage | Distribution | Options | Finish |
| BRI1=Bristol Radiant | B1=Wide Shade B2=Narrow Shade | NL=No Secondary Lens | See Chart on Page 2 & 3 | U=120-277V H=347/480V | 1=Type I* 2=Type II 3=Type III 4=Type IV 5=Type V *70W & above only | PC=Button Eye Photo Control H= House Side Shield N=None | BK=Black BZ=Bronze DBZ=Dark Bronze WH=White GR=Green SM=Silver Metallic GY=Light Gray TBK=Textured Black CC=Custom Color (Consult Factory) |



RADIANT™ LED PENDANT MOUNTS



13" Radiant™



12" Radiant™



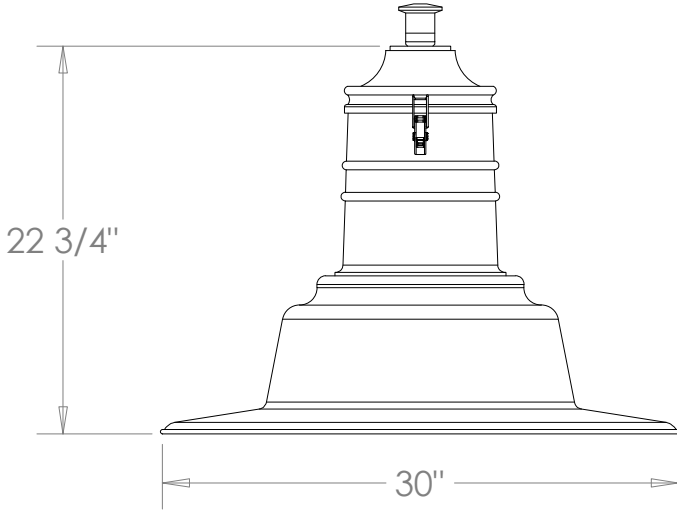
8" Radiant™

LED LIGHT ENGINE SPECIFICATIONS

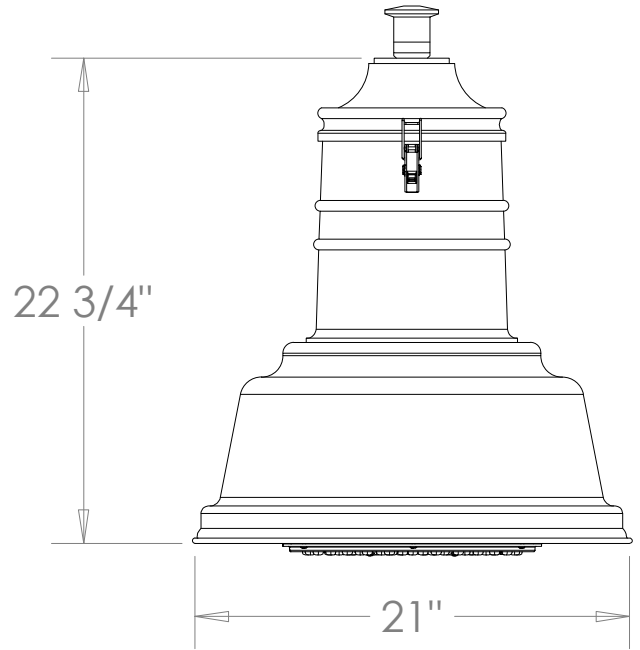
| LED Module | Wattage | Nominal Lumens* | System Efficacy | CCT | CRI | IES Distribution |
|------------|---------|-----------------|-----------------|-------|-----|---------------------|
| 40W5K | 40 | 4,396 | 109.9 | 5000K | 85 | Type II, III, IV, V |
| 50W5K | 50 | 5,495 | 109.9 | 5000K | 85 | Type II, III, IV, V |
| 60W5K | 60 | 6,594 | 109.9 | 5000K | 85 | Type II, III, IV, V |
| 70W5K | 70 | 7,693 | 109.9 | 5000K | 85 | Type II, III, IV, V |
| 80W5K | 80 | 8,792 | 109.9 | 5000K | 85 | Type II, III, IV, V |
| 90W5K | 90 | 9,891 | 109.9 | 5000K | 85 | Type II, III, IV, V |
| 105W5K | 105 | 11,540 | 109.9 | 5000K | 85 | Type II, III, IV, V |
| 120W5K | 120 | 13,188 | 109.9 | 5000K | 85 | Type II, III, IV, V |
| 135W5K | 135 | 14,837 | 109.9 | 5000K | 85 | Type II, III, IV, V |
| 40W4K | 40 | 4,396 | 109.9 | 4000K | 85 | Type II, III, IV, V |
| 50W4K | 50 | 5,495 | 109.9 | 4000K | 85 | Type II, III, IV, V |
| 60W4K | 60 | 6,594 | 109.9 | 4000K | 85 | Type II, III, IV, V |
| 70W4K | 70 | 7,693 | 109.9 | 4000K | 85 | Type II, III, IV, V |
| 80W4K | 80 | 8,792 | 109.9 | 4000K | 85 | Type II, III, IV, V |
| 90W4K | 90 | 9,891 | 109.9 | 4000K | 85 | Type II, III, IV, V |
| 105W4K | 105 | 11,540 | 109.9 | 4000K | 85 | Type II, III, IV, V |
| 120W4K | 120 | 13,188 | 109.9 | 4000K | 85 | Type II, III, IV, V |
| 135W4K | 135 | 14,837 | 109.9 | 4000K | 85 | Type II, III, IV, V |
| 40W3K | 40 | 4,396 | 109.9 | 3000K | 85 | Type II, III, IV, V |
| 50W3K | 50 | 5,495 | 109.9 | 3000K | 85 | Type II, III, IV, V |
| 60W3K | 60 | 6,594 | 109.9 | 3000K | 85 | Type II, III, IV, V |
| 70W3K | 70 | 7,693 | 109.9 | 3000K | 85 | Type II, III, IV, V |
| 80W3K | 80 | 8,792 | 109.9 | 3000K | 85 | Type II, III, IV, V |
| 90W3K | 90 | 9,891 | 109.9 | 3000K | 85 | Type II, III, IV, V |
| 105W3K | 105 | 11,540 | 109.9 | 3000K | 85 | Type II, III, IV, V |
| 120W3K | 120 | 13,188 | 109.9 | 3000K | 85 | Type II, III, IV, V |
| 135W3K | 135 | 14,837 | 109.9 | 3000K | 85 | Type II, III, IV, V |
| 40W27K | 40 | 4,308 | 109.9 | 2700K | 85 | Type II, III, IV, V |
| 50W27K | 50 | 5,385 | 109.9 | 2700K | 85 | Type II, III, IV, V |
| 60W27K | 60 | 6,462 | 109.9 | 2700K | 85 | Type II, III, IV, V |
| 70W27K | 70 | 7,539 | 109.9 | 2700K | 85 | Type II, III, IV, V |
| 80W27K | 80 | 8,616 | 109.9 | 2700K | 85 | Type II, III, IV, V |
| 90W27K | 90 | 9,693 | 109.9 | 2700K | 85 | Type II, III, IV, V |
| 105W27K | 105 | 11,309 | 109.9 | 2700K | 85 | Type II, III, IV, V |
| 120W27K | 120 | 12,924 | 109.9 | 2700K | 85 | Type II, III, IV, V |
| 135W27K | 135 | 14,540 | 109.9 | 2700K | 85 | Type II, III, IV, V |

**Contact the factory for
 Amber, LPS and 2200K
 lumen output**

*Please refer to the fixture's IES file for detailed information. Subject to change.



Wide Shade (B1)



Narrow Shade (B2)