



OPTI-FLUX™ LED PENDANT MOUNTS



Wide Shade (B1)
 Deep Globe (ADG)



Narrow Shade (B2)
 Deep Globe (ADG)

Specifications and Features:

Opti-FLUX™ LED

- CCT: 2700K, 3000K, 4000K, 5000K

Distribution

- Types III & V

Electrical

- Electronic Driver, 120-277V, 50/60Hz or 347/480V, 50/60Hz
- 0-10V Dimmable Driver
- Surge Protection included
 - surge protection device meets IEEE C62.41 2002 C High 10kA

Controls (Optional)

- Button eye photo control (PC)
- House Side Shield (H)

Housing

- Cast aluminum upper housing & spun aluminum lower shade. The luminaire itself is held in place with a mechanical attachment & connected to the pole's shaft by means of a cast aluminum hub fitter, welded to the arm & secured to the shaft by 3 set screws.

Finish

- Super durable polyester powder coat finish over a conversion coating. Custom finishes available, including patinas and all RAL colors.

Listings & Ratings

EPA: 2.4
 WEIGHT: 35lbs (max.)

Order Information Example:

BRI2							PEN		
Model	Spinning	Globe/Lens	LED Module	Voltage	Distribution	Mounting	Options	Finish	
BRI2=Bristol Opti-FLUX	B1=Wide Shade B2=Narrow Shade	ADG=Clear Acrylic Deep Globe ASG=Clear Acrylic Short Globe GL=Short Prismatic Glass Lens DG=Deep Prismatic Glass Lens	See Chart on Page 2 & 3	U=120-277V H=347/480V	3=Type III 5=Type V	PEN=Pendant Mount (Standard) Select Arm	PC=Button Eye Photo Control H= House Side Shield N=None	BK=Black BZ=Bronze DBZ=Dark Bronze WH=White GR=Green SM=Silver Metallic GY=Light Gray TBK=Textured Black CC=Custom Color (Consult Factory)	



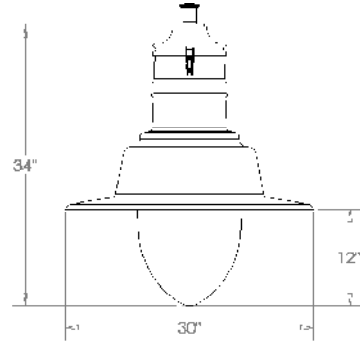
OPTI-FLUX™ LED PENDANT MOUNTS



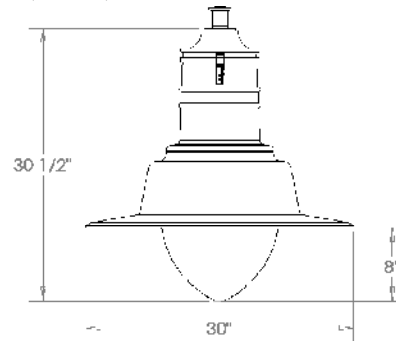
Inverted "Opti-FLUX™
 LED Light Engine"

LED LIGHT ENGINE SPECIFICATIONS:

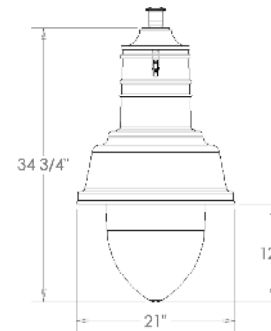
	LED Module	Input Watts	Lumens	System Efficacy	CCT	CRI	IES Distributions
5K	32W5K	32	4320	115	5K	70	Type III, V
	40W5K	40	5400	115	5K	70	Type III, V
	48W5K	48	6480	115	5K	70	Type III, V
	56W5K	56	7560	115	5K	70	Type III, V
	64W5K	64	8640	115	5K	70	Type III, V
	72W5K	72	9720	115	5K	70	Type III, V
	80W5K	80	10800	115	5K	70	Type III, V
	88W5K	88	11880	115	5K	70	Type III, V
4K	96W5K	96	12960	115	5K	70	Type III, V
	32W4K	32	3736	110	4K	70	Type III, V
	40W4K	40	4670	110	4K	70	Type III, V
	48W4K	48	5604	110	4K	70	Type III, V
	56W4K	56	6538	110	4K	70	Type III, V
	64W4K	64	7442	110	4K	70	Type III, V
	72W4K	72	8376	110	4K	70	Type III, V
	80W4K	80	9310	110	4K	70	Type III, V
3K	88W4K	88	10244	110	4K	70	Type III, V
	96W4K	96	11178	110	4K	70	Type III, V
	32W3K	32	3390	99	3K	70	Type III, V
	40W3K	40	4220	99	3K	70	Type III, V
	48W3K	48	5050	98	3K	70	Type III, V
	56W3K	56	5880	98	3K	70	Type III, V
	64W3K	64	6710	98	3K	70	Type III, V
	72W3K	72	7540	98	3K	70	Type III, V
	80W3K	80	8370	98	3K	70	Type III, V
	88W3K	88	9200	98	3K	70	Type III, V
	96W3K	96	10030	98	3K	70	Type III, V



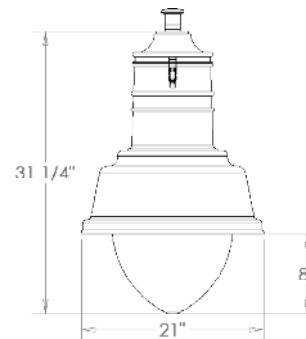
Wide Shade (B1), Deep Globe (ADG)



Wide Shade (B1), Short Globe (ASG)



Narrow Shade (B2), Deep Globe (ADG)



Narrow Shade (B2), Short Globe (ASG)