



**LED PENDANT MOUNT**



Deep Globe



Short Globe

**Specifications and Features:**

**Radiant™ LED**

- Conformal Coating LED light engine
- CCT: Amber, LPS (1800K), 2200K, 2700K, 3000K, 4000K, 5000K
- Static Colors Available - Contact Factory

**Distribution**

- Types II, III, IV, V

**Electrical**

- Electronic Driver, 120-277V, 50/60Hz or 347/480V, 50/60Hz
- 0-10v Dimmable Driver
- Standard Surge Protection included (6kV line-line; 10k-V line-earth)

**Controls (Optional)**

- Button eye photo control (PC)

**Housing**

- Spun aluminum shades (optional)
- Includes leveler for pendant mount

**Finish**

- Super durable polyester powder coat finish. Custom finishes available, including patinas and all RAL colors.

**Listings & Ratings**

- ETL listed to UL 1598 standard for wet location.
- LED is IP66 Rated

**Warranty**

- 5 year limited warranty

EPA: 1.8  
 WEIGHT: 19lbs (max.)

**Order Information Example:**

**CAL1PDG40W4KU5C5NPCBK**

CAL1				
Model	Globe/Lens	LED Module	Voltage	Distribution
CAL1=Calais Radiant	ACS=Acrylic Short Stipple Globe ADG=Acrylic Deep Stipple Globe PSS=Polycarbonate Short Stipple Globe PDG=Polycarbonate Deep Stipple Globe (Standard) NL=No Secondary Lens	See Chart on Page 2	U=120-277V H=347/480V	2=Type II 3=Type III 4=Type IV 5=Type V
C5				
Capital	Shade/Spinning	Options	Finish	
C5=PLC5	N=None C1=23" Shade C2=26" Shade C3=18" Shade C4=21" Shade* W=Add White Finish Underneath Shade  *Not available with Deep Globe	PC=Button Eye Photo Control H=House Side Shield N=None	BK=Black BZ=Bronze DBZ=Dark Bronze WH=White GR=Green SM=Silver Metallic GY=Light Gray TBK=Textured Black CC=Custom Color (Consult Factory)	



**LED PENDANT MOUNT**



8" Radiant™



6" Radiant™

**6" & 8" Radiant Lumen Chart**

\*Initial lumen data\*

CCT	LED Module	Input Watts	Type 2	Type 3	Type 4	Type 5	CCT	LED Module	Input Watts	Type 2	Type 3	Type 4	Type 5
5K	10W5K	10	1217	1186	1204	1190	3K	10W3K	10	1132	1103	1120	1107
	15W5K	15	1826	1780	1806	1785		15W3K	15	1698	1655	1680	1660
	20W5K	20	2434	2373	2408	2380		20W3K	20	2264	2207	2240	2213
	30W5K	30	3651	3559	3612	3570		30W3K	30	3396	3310	3360	3320
	40W5K	40	5091	5100	4925	5202		40W3K	40	4735	4743	4580	4838
	50W5K	50	6311	6314	6076	6367		50W3K	50	5869	5872	5651	5921
	60W5K	60	7012	6884	6756	7201		60W3K	60	6521	6402	6283	6697
4K	10W4K	10	1175	1145	1162	1148	27K	10W27K	10	1098	1070	1086	1073
	15W4K	15	1762	1717	1743	1723		15W27K	15	1647	1605	1629	1610
	20W4K	20	2349	2290	2324	2297		20W27K	20	2196	2141	2172	2147
	30W4K	30	3524	3435	3486	3445		30W27K	30	3294	3211	3259	3220
	40W4K	40	4913	4922	4753	5020		40W27K	40	4392	4281	4345	4294
	50W4K	50	6090	6093	5863	6144		50W27K	50	5490	5351	5431	5367
	60W4K	60	6767	6643	6520	6949		60W27K	60	6588	6422	6517	6441

**This chart indicates INITIAL LUMENS. Globe/Lens choice will affect lumen output.  
 Contact factory for Amber, LPS or 2200K Lumen Output.**



## LED PENDANT MOUNT



No Lens, C1 Shade



Short Globe, C1 Shade



Deep Globe, C1 Shade



No Lens, C2 Shade



Short Globe, C2 Shade



Deep Globe, C2 Shade



No Lens, C3 Shade



Short Globe, C3 Shade



Deep Globe, C3 Shade



No Lens, C4 Shade



Short Globe, C4 Shade



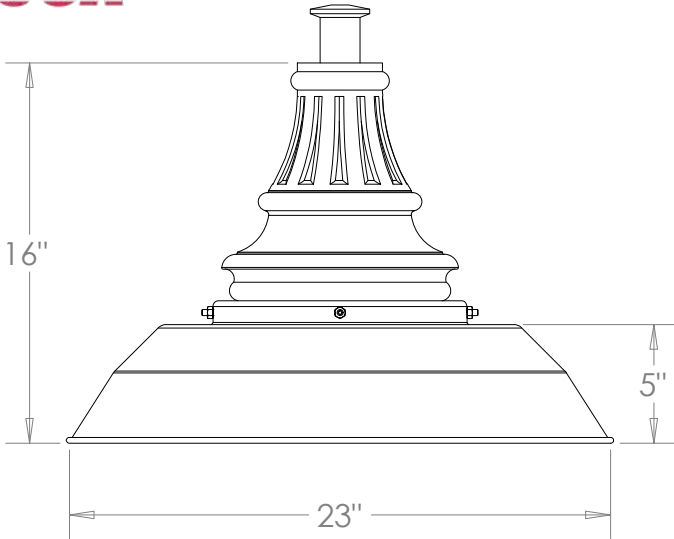
Short Globe, No Shade



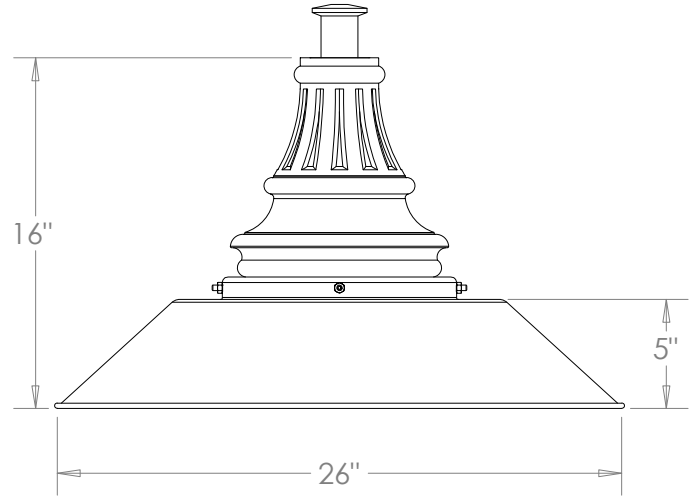
Deep Globe, No Shade



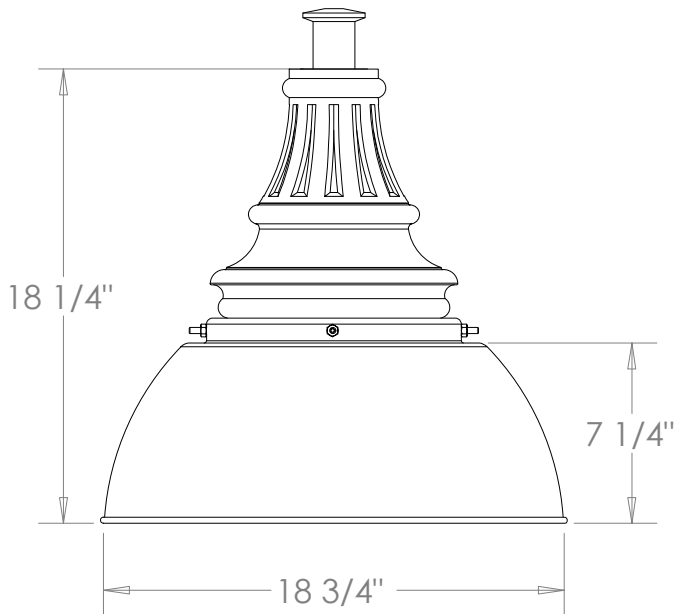
**LED PENDANT MOUNT**



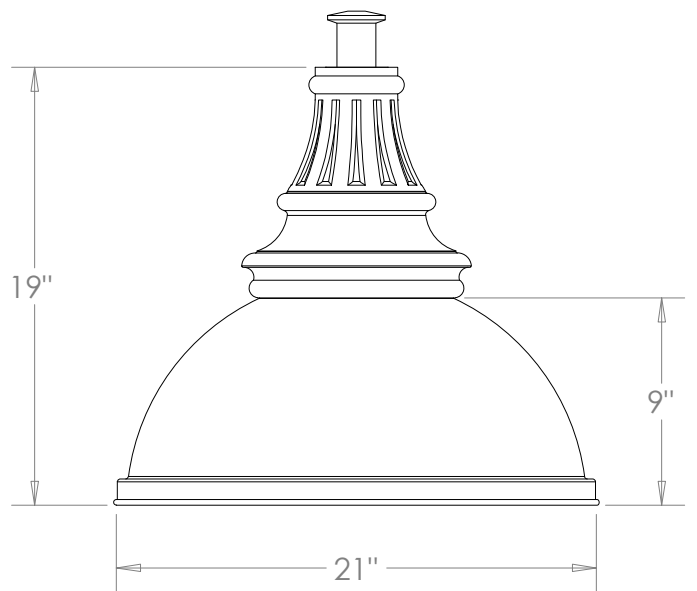
No Lens, C1 Shade



No Lens, C2 Shade



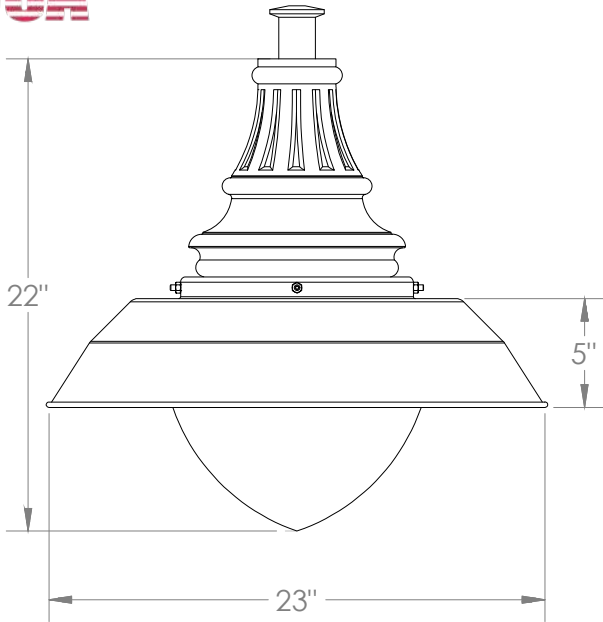
No Lens, C3 Shade



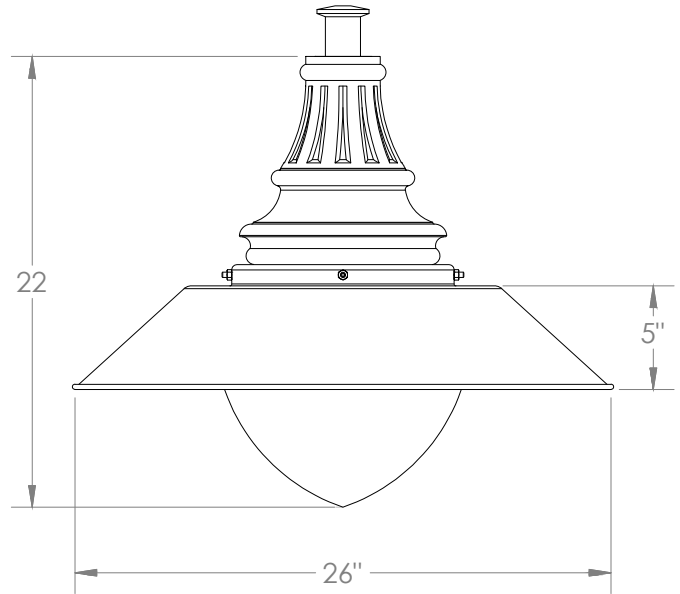
No Lens, C4 Shade



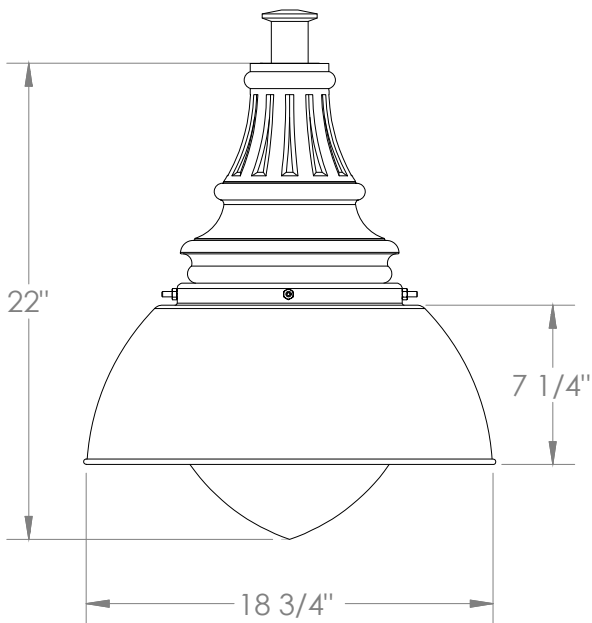
## LED PENDANT MOUNT



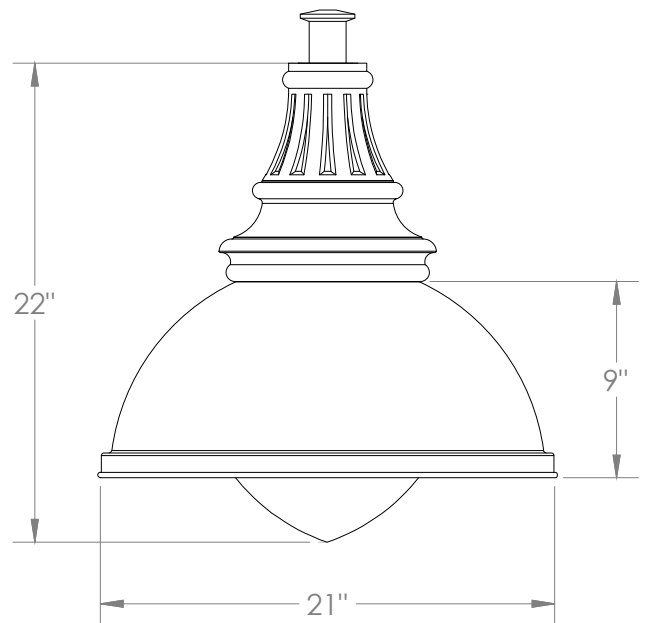
Short Globe, C1 Shade



Short Globe, C2 Shade



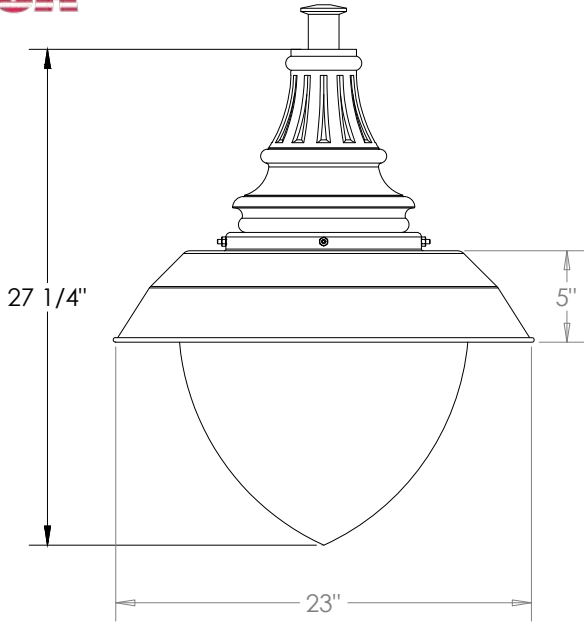
Short Globe, C3 Shade



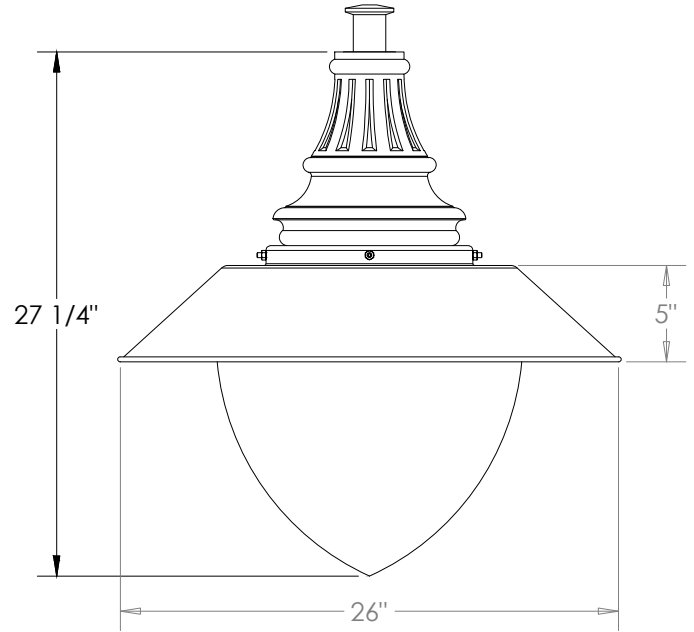
Short Globe, C4 Shade



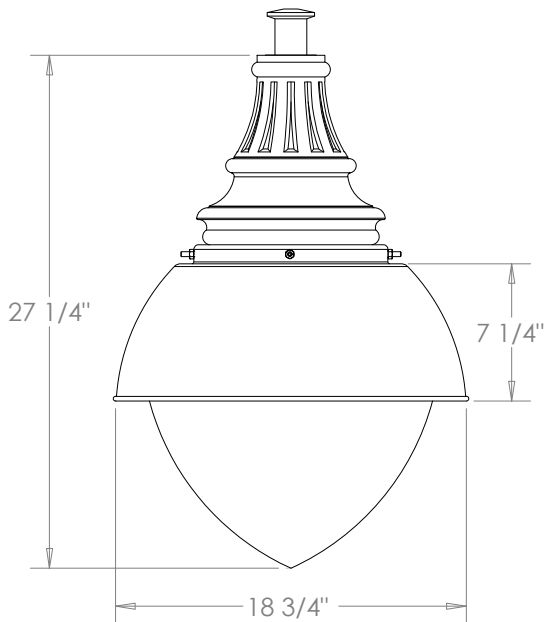
**LED PENDANT MOUNT**



Deep Globe, C1 Shade



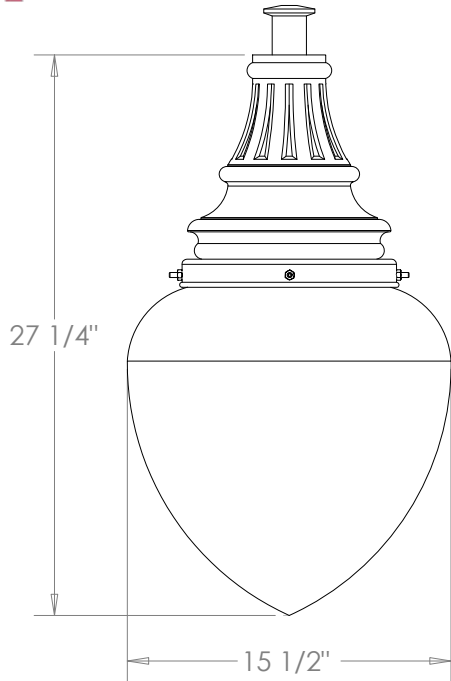
Deep Globe, C2 Shade



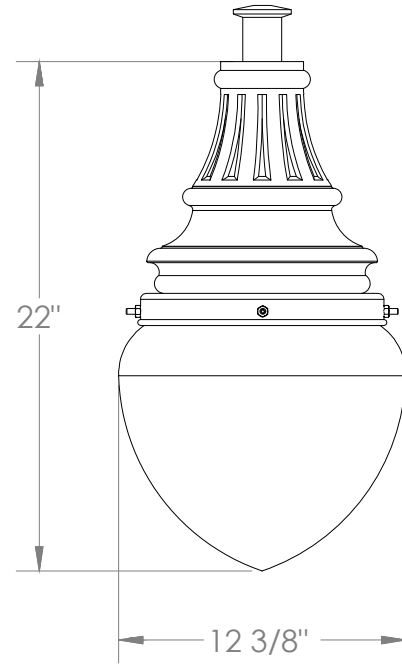
Deep Globe, C3 Shade



## LED PENDANT MOUNT



Deep Globe



Short Globe