



## OPTI-FLUX™ LED PENDANT MOUNTS



CORO1



CORO2

### Specifications and Features:

#### Opti-FLUX™ LED

- CCT: 2700, 3000, 4000, 5000

#### Distribution

- Types III & V

#### Electrical

- Electronic 0-10V Dimmable Driver, 120-277V, 50/60Hz or 347/480V, 50/60Hz
- Standard Surge Protection included (6kV line-line; 10k-V line-earth)

#### Controls (Optional)

- Button eye photo control (PC)

#### Housing

- The hinged top entry housing is held in place with a stainless steel latch. The top includes a leveler for knuckle mounting.

#### Finish

- Super durable polyester powder coat finish. Custom finishes available, including patinas and all RAL colors.

#### Listings & Ratings

- ETL listed to UL 1598 standard for wet location

#### Warranty

- 5 year limited warranty

EPA: 2.37  
 WEIGHT: 66lbs (max.)

**Order Information Example: CORO1NDPG55W5KU5NBK**

Model	Spinning	Globe/Lens	LED Module	Voltage	Distribution	Options	Finish (Standard Colors)
CORO1=Coronado 1 Opti-FLUX CORO2=Coronado 2 Opti-FLUX	N=None SKT=Spun Short Skirt	ADG=Clear Acrylic Deep Globe ASG=Clear Acrylic Short Globe PDG=Polycarbonate Deep Globe PSG=Polycarbonate Short Globe DPG=Deep Borosilicate Glass	See Chart on Page 2	U=120-277V H=347/480V	3=Type III 5=Type V	N=None PC=Button Eye Photo Control	BK=Black BZ=Bronze DBZ=Dark Bronze WH=White GR=Green SM=Silver Metallic GY=Light Gray TBK=Textured Black CC=Custom Color (Consult Factory)



## OPTI-FLUX™ LED PENDANT MOUNTS



Inverted "Opti-FLUX™ LED Light Engine"

Opti-FLUX Lumen Output

	LED Module	Input Watts	Initial Lumens	CCT	CRI	IES Distributions		LED Module	Input Watts	Initial Lumens	CCT	CRI	IES Distributions
5K	32W5K	32	4320	5K	70	Type III, V	3K	32W3K	32	3390	3K	70	Type III, V
	40W5K	40	5400	5K	70	Type III, V		40W3K	40	4220	3K	70	Type III, V
	48W5K	48	6480	5K	70	Type III, V		48W3K	48	5050	3K	70	Type III, V
	56W5K	56	7560	5K	70	Type III, V		56W3K	56	5880	3K	70	Type III, V
	64W5K	64	8640	5K	70	Type III, V		64W3K	64	6710	3K	70	Type III, V
	72W5K	72	9720	5K	70	Type III, V		72W3K	72	7540	3K	70	Type III, V
	80W5K	80	10800	5K	70	Type III, V		80W3K	80	8370	3K	70	Type III, V
	88W5K	88	11880	5K	70	Type III, V		88W3K	88	9200	3K	70	Type III, V
96W5K	96	12960	5K	70	Type III, V	96W3K	96	10030	3K	70	Type III, V		
4K	32W4K	32	3736	4K	70	Type III, V	27K	32W27K	32	3322	27K	70	Type III, V
	40W4K	40	4670	4K	70	Type III, V		40W27K	40	4136	27K	70	Type III, V
	48W4K	48	5604	4K	70	Type III, V		48W27K	48	4949	27K	70	Type III, V
	56W4K	56	6538	4K	70	Type III, V		56W27K	56	5762	27K	70	Type III, V
	64W4K	64	7442	4K	70	Type III, V		64W27K	64	6576	27K	70	Type III, V
	72W4K	72	8376	4K	70	Type III, V		72W27K	72	7389	27K	70	Type III, V
	80W4K	80	9310	4K	70	Type III, V		80W27K	80	8203	27K	70	Type III, V
	88W4K	88	10244	4K	70	Type III, V		88W27K	88	9016	27K	70	Type III, V
96W4K	96	11178	4K	70	Type III, V	96W27K	96	9829	27K	70	Type III, V		

Data above represents raw lumens. Globe/Lens choice will affect lumen output.



## OPTI-FLUX™ LED PENDANT MOUNTS



Coronado 1 - Short Globe,  
No Skirt



Coronado 1 - Deep Globe,  
No Skirt



Coronado 1 - Short Globe  
with Skirt



Coronado 1 - Deep Globe  
with Skirt



Coronado 2 - Short Globe,  
No Skirt



Coronado 2 - Deep Globe,  
No Skirt



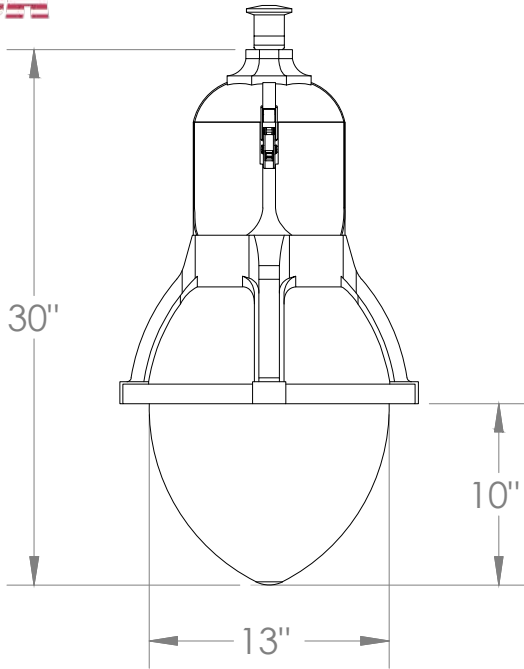
Coronado 2 - Short Gobe,  
No Skirt



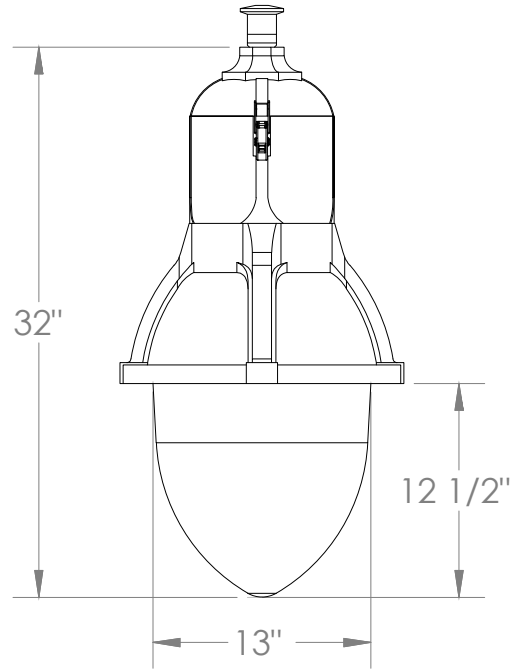
Coronado 2 - Deep Globe  
with Skirt



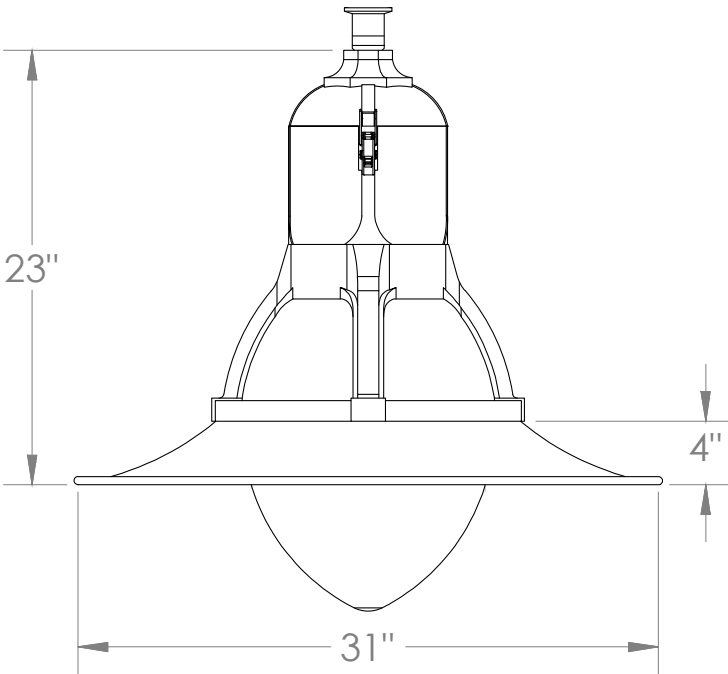
## OPTI-FLUX™ LED PENDANT MOUNTS



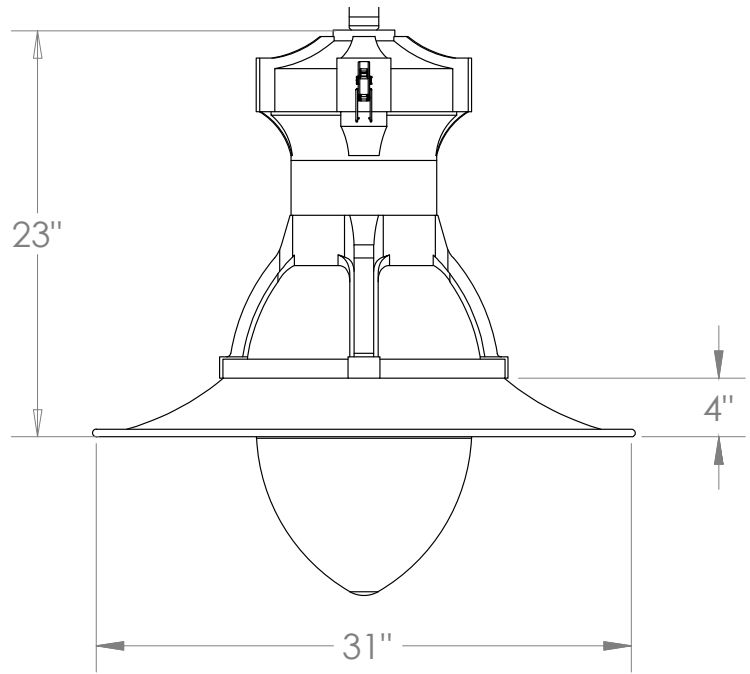
Coronado 1 - Short Globe, No Skirt



Coronado 1 - Deep Globe, No Skirt



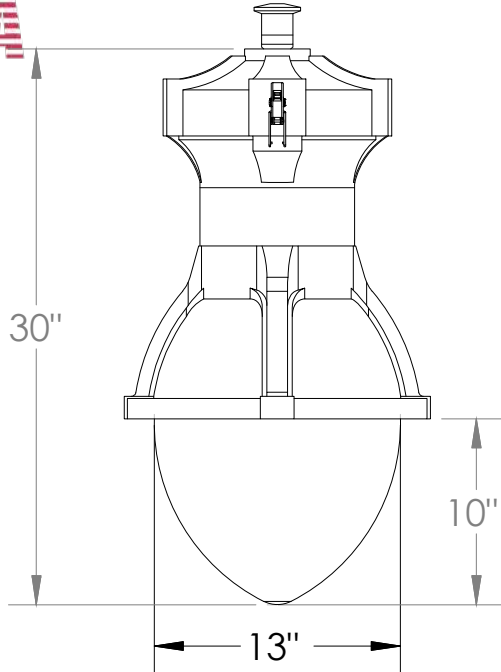
Coronado 1 - Short Globe, with Skirt



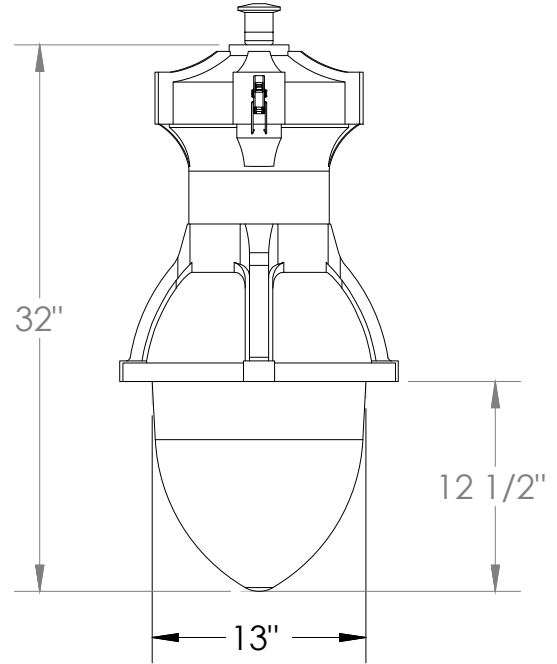
Coronado 1 - Deep Globe, with Skirt



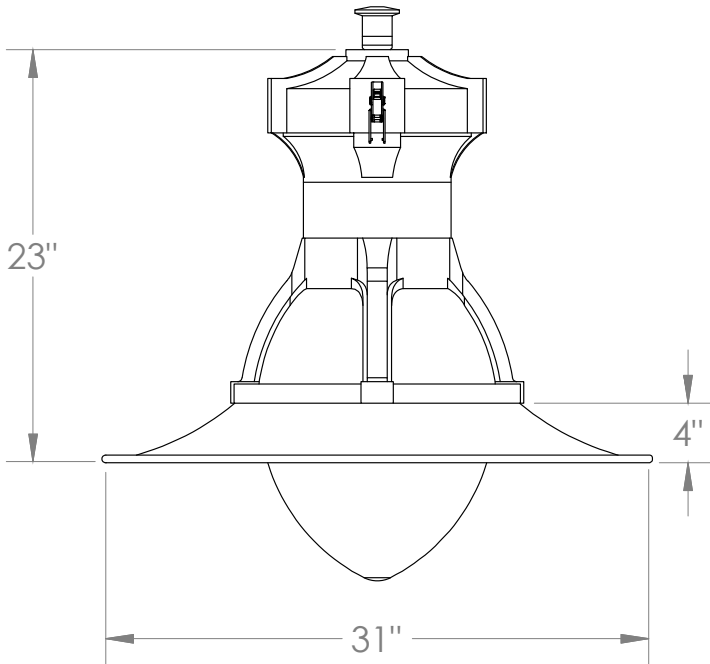
## OPTI-FLUX™ LED PENDANT MOUNTS



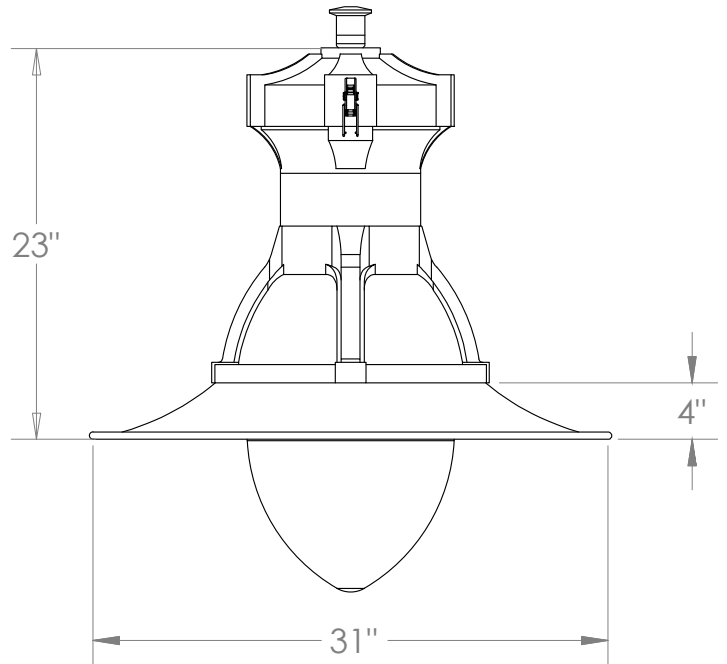
Coronado 2 - Short Globe, No Skirt



Coronado 2 - Deep Globe, No Skirt



Coronado 2 - Short Globe, with Skirt



Coronado 2 - Deep Globe, with Skirt