



LED PENDANT MOUNT



Shown with D1 Shade and Solid Midsection

Specifications and Features:

Radiant™ LED

- Conformal Coating LED light engine
- CCT: Amber, LPS (1800K), 2200K, 2700K, 3000K, 4000K, 5000K
- Static Colors Available - Contact Factory

Distribution

- Types I* II, III, IV, V (Type I available in 70w & higher only)
- Full Cutoff

Electrical

- Electronic Driver, 120-277V, 50/60Hz or 347/480V, 50/60Hz
- 0-10v Dimmable Driver
- Standard Surge Protection included (6kV line-line; 10k-V line-earth)

Controls (Optional)

- Button eye photo control (PC)

Housing

- Cast aluminum upper dome & spun aluminum lower shade

Finish

- Super durable polyester powder coat finish. Custom finishes available, including patinas and all RAL colors.

Listings & Ratings

- ETL listed to UL 1598 standard for wet location.
- LED is IP66 Rated

Warranty

- 5 year limited warranty



EPA: 1.4
 WEIGHT: 29 lbs

Order Information Example: DAND1NL80W4KU3SMSPENPCBK

Order Information Example: DAND1NL80W4KU3SMSPENPCBK					
DAN					
Model	Shades	Globe/Lens	LED Module	Voltage	Distribution
DAN=Danville Radiant	D1=Flared D2=Shallow Tapered D3=Beveled D4=Deep Tapered D5=Narrow Tapered	NL=No Secondary Lens	See Chart on Page 2	U=120-277V H=347/480V	1=Type I* 2=Type II 3=Type III 4=Type IV 5=Type V *70W & above only
Midsections & Accents		Mounting	Options	Finish	
SMS=Solid Midsection 4W=4 Window Midsection 16W=16 Window Midsection LM=Louvered Midsection NMS=No Midsection CR=Cast Rings (4)		PEN=Top Mount (Standard) SMPR=Side Mount, Round Pole SMPS=Side Mount, Square Pole SMW=Side Mount, Wall	PC=Button Eye Photo Control H=House Side Shield N=None	BK=Black BZ=Bronze DBZ=Dark Bronze WH=White GR=Green SM=Silver Metallic GY=Light Gray TBK=Textured Black CC=Custom Color (Consult Factory)	



LED PENDANT MOUNT



13" Radiant™



12" Radiant™



8" Radiant™

Lumen Output for Danville Radiant™

CCT	LED Module	Input Watts	Efficacy Range		Type 2	Type 3	Type 4	Type 5
5K	40W5K	40	131	138	5091	5100	4925	5202
	50W5K	50	118	123	6311	6314	6076	6367
	60W5K	60	117	125	7012	6884	6756	7201
	70W5K	70	110	116	7262	7415	7282	7713
	80W5K	80	110	116	8300	8474	8322	8815
	90W5K	90	110	116	9337	9533	9362	9917
	105W5K	105	131	128	12793	12470	12656	12507
	120W5K	120	131	128	14620	14252	14464	14294
4K	135W5K	135	131	128	16448	16033	16272	16081
	40W4K	40	126	133	4913	4922	4753	5020
	50W4K	50	113	119	6090	6093	5863	6144
	60W4K	60	113	120	6767	6643	6520	6949
	70W4K	70	106	112	7008	7155	7026	7443
	80W4K	80	106	112	8009	8177	8030	8506
	90W4K	90	106	112	9010	9199	9034	9570
	105W4K	105	127	124	12345	12034	12213	12070
120W4K	120	127	124	14109	13753	13958	13794	
135W4K	135	127	124	15872	15472	15702	15518	
3K	40W3K	40	121	128	4735	4743	4580	4838
	50W3K	50	109	115	5869	5872	5651	5921
	60W3K	60	109	116	6521	6402	6283	6697
	70W3K	70	102	108	6754	6896	6772	7173
	80W3K	80	102	108	7719	7881	7739	8198
	90W3K	90	102	108	8683	8866	8707	9223
	105W3K	105	122	119	11897	11597	11770	11632
	120W3K	120	122	119	13597	13254	13452	13294
135W3K	135	122	119	15297	14911	15133	14955	

*Please refer to the fixture's IES file for detailed information. Subject to change.



LED PENDANT MOUNT



D1 Shade, 4W Midsection



D1 Shade, 16W Midsection



D1 Shade, Louvered Midsection



D1 Shade, Solid Midsection



D2 Shade, 4W Midsection



D2 Shade, 16W Midsection



D2 Shade, Louvered Midsection



D2 Shade, Solid Midsection



D3 Shade, 4W Midsection



D3 Shade, 16W Midsection



D3 Shade, Louvered Midsection



D3 Shade, Solid Midsection



D4 Shade, 4W Midsection



D4 Shade, 16W Midsection



D4 Shade, Louvered Midsection



D4 Shade, Solid Midsection



LED PENDANT MOUNT



D5 Shade, 4W Midsection



D5 Shade, 16W Midsection



D5 Shade, Louvered Midsection



D5 Shade, Solid Midsection



Cast Rings (shown w/ D1 shade)



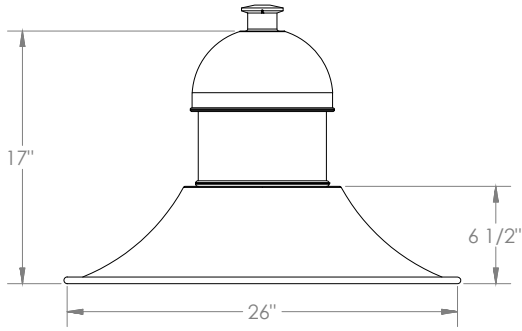
Pole Mount (SMPR/S)



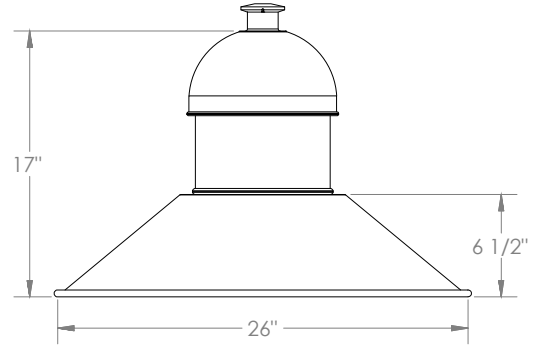
Side Mount, Wall (SMW)



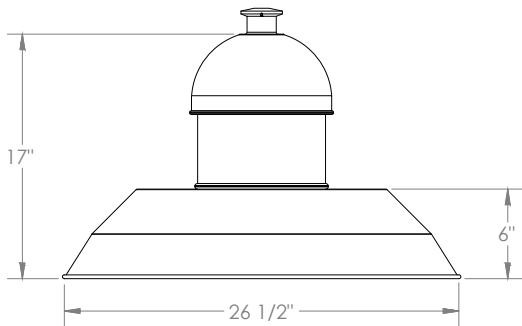
LED PENDANT MOUNT



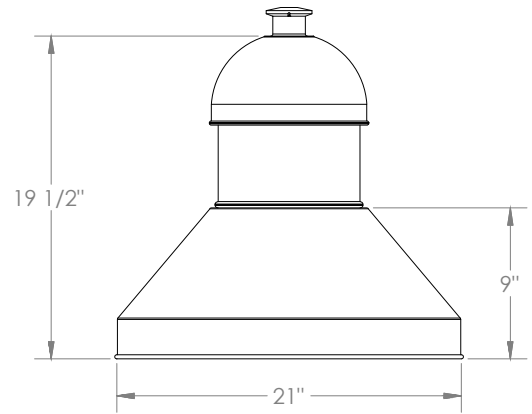
D1 Shade



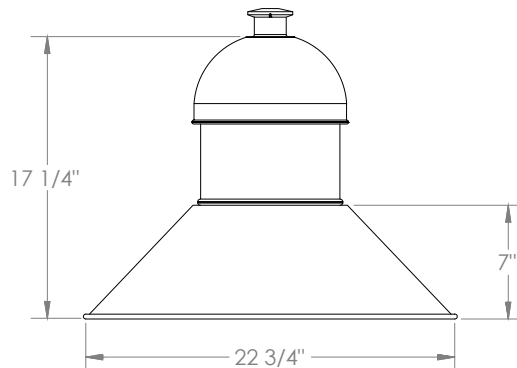
D2 Shade



D3 Shade



D4 Shade



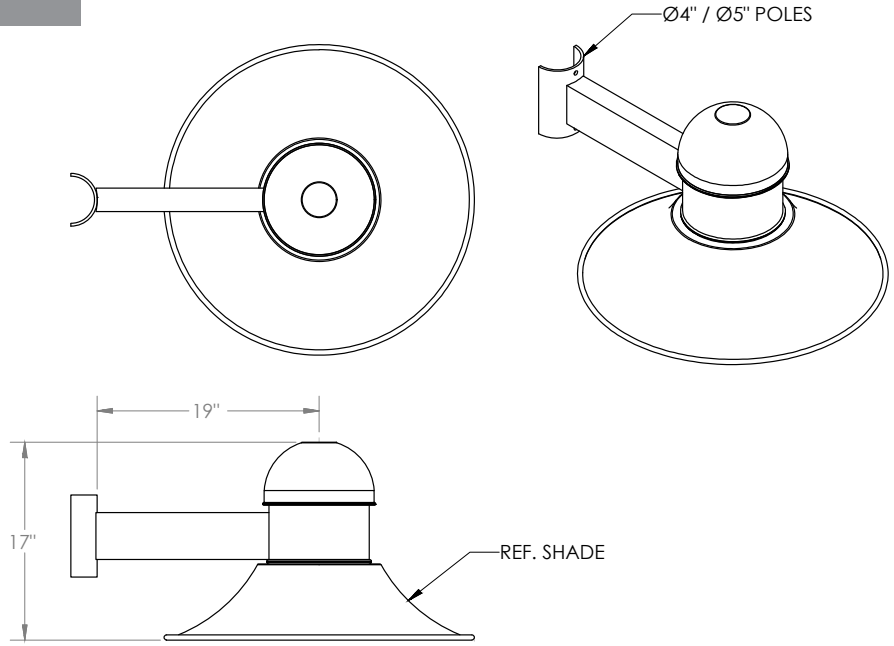
D5 Shade



LED PENDANT MOUNT



Pole Mount



Wall Mount

