



## RADIANT™ LED POST TOPS



Post Mount (standard) - choose "N" under mounting options



Pendant Mount - choose "PEN" under mounting options

EPA: 2.5  
WEIGHT: 35 lbs (max.)

### Specifications and Features:

#### Radiant™ LED

- Conformal Coating LED light engine
- CCT: Amber, LPS (1800K), 2200K, 2700K, 3000K, 4000K, 5000K
- Static Colors Available - Contact Factory

#### Optical

- Types I\* II, III, IV, V (Type I available in 70w & higher only)

#### Electrical

- Electronic Driver, 120-277V, 50/60Hz or 347/480V, 50/60Hz
- 0-10 V Dimmable Driver
- Standard Surge Protection included (6kV line-line; 10k-V line-earth)

#### Controls (adder)

- Button eye photo control (PC)
- House Side Shield (H)

#### Housing

- The hinged roof opens with one fastener for ease of relamping, 3" slip fitter.

#### Finish

- Super durable polyester powder coat finish over a chromate conversion coating. Custom finishes available, including patinas and all RAL colors.

#### Listings & Ratings

- ETL listed to UL 1598 standard for wet location and IP66
- LED is IP66 Rated

#### Warranty

- 5 year limited warranty

### Order Information Example: HAMCA60W4KU3BNPCBK

Model	Globe/Lens	LED Module	Voltage	Distribution	Finial	Mounting	Options	Finish (Standard Colors)
HAM=Hampton	CA=Clear Acrylic CP=Clear Polycarbonate FA=Frosted Acrylic FP=Frosted Polycarbonate TG=Flat Tempered Glass, Clear FG=Flat Tempered Glass, Frosted WA=White (Opal) Acrylic PA=Pattern Acrylic	See Chart on Page 2	U=120-277V H=347/480V	1=Type I* 2=Type II 3=Type III 4=Type IV 5=Type V  *70W & above only	P=GF18 (standard) B=GF2, C=GF3 D=GF4, F=GF6 G=GF7, H=GF8 I=GF9, J=GF10 K=GF12, O=GF17 V=GF24 N=None	N=None (Standard Post Mount) PEN=Pendant Mount	PC=Button Eye Photo Control H=House Side Shield GCL=Glass Chimney, Large N=None	BK=Black BZ=Bronze DBZ=Dark Bronze WH=White GR=Green SM=Silver Metallic GY=Light Gray TBK=Textured Black CC=Custom Color (Consult Factory)



## RADIANT™ LED POST TOPS



13" Radiant™



12" Radiant™



8" Radiant™

### Lumen Output for Hampton

Clear Lens							Frosted Lens						
CCT	LED Module	Input Watts	Type 2	Type 3	Type 4	Type 5	CCT	LED Module	Input Watts	Type 2	Type 3	Type 4	Type 5
5K	40W5K	40	3112	3181	3125	3310	5K	40W5K	40	2645	2704	2656	2814
	50W5K	50	3890	3977	3906	4138		50W5K	50	3306	3380	3320	3517
	60W5K	60	4668	4772	4688	4966		60W5K	60	3967	4056	3984	4221
	70W5K	70	5446	5567	5469	5793		70W5K	70	4629	4732	4648	4924
	80W5K	80	6224	6363	6250	6621		80W5K	80	5290	5408	5312	5628
	90W5K	90	7012	7169	7042	7460		90W5K	90	5960	6093	5985	6341
	105W5K	105	8169	8351	8203	8690		105W5K	105	6943	7098	6973	7386
120W5K	120	9336	9544	9375	9931	120W5K	120	7935	8112	7969	8441		
135W5K	135	10513	10748	10558	11184	135W5K	135	8936	9135	8974	9506		
4K	40W4K	40	2987	3054	3000	3178	4K	40W4K	40	2539	2596	2550	2701
	50W4K	50	3734	3818	3750	3973		50W4K	50	3174	3245	3187	3377
	60W4K	60	4481	4581	4500	4767		60W4K	60	3809	3894	3825	4052
	70W4K	70	5228	5345	5250	5562		70W4K	70	4444	4543	4462	4727
	80W4K	80	5975	6108	6000	6356		80W4K	80	5078	5192	5100	5402
	90W4K	90	6732	6882	6760	7161		90W4K	90	5722	5849	5746	6087
	105W4K	105	7842	8017	7875	8342		105W4K	105	6665	6814	6694	7091
120W4K	120	8962	9162	9000	9534	120W4K	120	7617	7788	7650	8104		
135W4K	135	10092	10318	10135	10737	135W4K	135	8578	8770	8615	9126		
3K	40W3K	40	2866	2930	2878	3049	3K	40W3K	40	2436	2490	2446	2591
	50W3K	50	3583	3663	3598	3811		50W3K	50	3045	3113	3058	3239
	60W3K	60	4299	4395	4317	4573		60W3K	60	3654	3736	3670	3887
	70W3K	70	5016	5128	5037	5336		70W3K	70	4263	4358	4281	4535
	80W3K	80	5732	5860	5756	6098		80W3K	80	4872	4981	4893	5183
	90W3K	90	6458	6602	6486	6870		90W3K	90	5489	5612	5513	5840
	105W3K	105	7523	7691	7555	8003		105W3K	105	6394	6537	6422	6803
120W3K	120	8598	8790	8635	9147	120W3K	120	7308	7471	7339	7774		
135W3K	135	9682	9899	9724	10300	135W3K	135	8230	8414	8265	8755		
27K	40W27K	40	2810	2873	2822	2989	27K	40W27K	40	2388	2442	2399	2541
	50W27K	50	3512	3591	3527	3737		50W27K	50	2985	3052	2998	3176
	60W27K	60	4215	4309	4233	4484		60W27K	60	3583	3663	3598	3811
	70W27K	70	4917	5027	4938	5231		70W27K	70	4180	4273	4197	4446
	80W27K	80	5620	5746	5644	5979		80W27K	80	4777	4883	4797	5082
	90W27K	90	6332	6473	6359	6736		90W27K	90	5382	5502	5405	5725
	105W27K	105	7376	7541	7408	7847		105W27K	105	6270	6410	6296	6670
120W27K	120	8430	8618	8466	8968	120W27K	120	7165	7325	7196	7623		
135W27K	135	9493	9705	9534	10099	135W27K	135	8069	8249	8103	8584		

Contact the factory for  
Amber, LPS and 2200K  
lumen output



**RADIANT™ LED POST TOPS**



**Finials**

Finial Options:



GF2 - 6"



GF3 - 6"



GF4 - 6"



GF6 - 4"



GF7 - 4.5"



GF8 - 4"



GF9 - 4.25"



GF10 - 3.5"



GF12 - 2.75"



GF17 - 4"

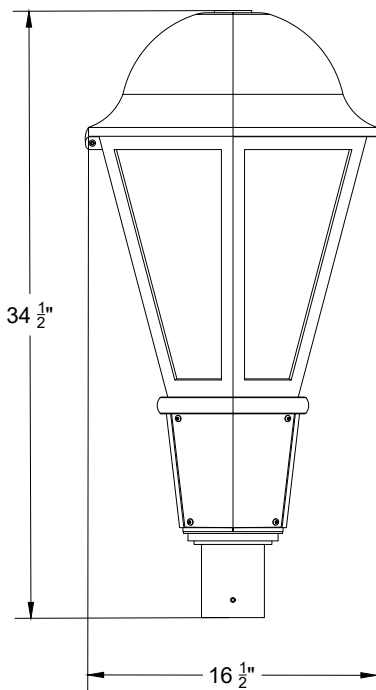


GF18 - 2.75"



GF24 - 4.75"

Post Mount (standard) - choose "N" under mounting options



Pendant Mount - choose "PEN" under mounting options

