



LED POST TOP



Two Struts (standard)
No Lens/Globe



Two Struts (standard)
with Globe



Optional 4 Struts
No Lens/Globe



Optional 4 Struts
with Globe

EPA: 3.0
WEIGHT: 42 lbs (max.)

Specifications and Features:

Radiant™ LED

- Conformal Coating LED light engine
- CCT: Amber, LPS (1800K), 2200K, 2700K, 3000K, 4000K, 5000K
- Static Colors Available - Contact Factory

Distribution

- Types I* II, III, IV, V (Type I available in 70w & higher only)
- Full Cutoff

Electrical

- Electronic Driver, 120-277V, 50/60Hz or 347/480V, 50/60Hz
- 0-10v Dimmable Driver
- Standard Surge Protection included (6kV line-line; 10k-V line-earth)

Controls (Optional)

- Button eye photo control (PC)

Housing

- The hinged roofs opens with one fastener.
- 3" slip fitter.

Finish

- Super durable polyester powder coat finish. Custom finishes available, including patinas and all RAL colors.

Listings & Ratings

- ETL listed to UL 1598 standard for wet location.
- LED is IP66 Rated

Warranty

- 5 year limited warranty

Order Information Example:

SOUTHNL70W4KU5NBK

SOUTH	NL					
Model	Globe/Lens	LED Module	Voltage	Distribution	Options	Finish (Standard Colors)
SOUTH=Southgate	NL=No Secondary Lens CA=Clear Acrylic	See Chart on Page 2	U=120-277V H=347/480V	1=Type I* 2=Type II 3=Type III 4=Type IV 5=Type V *70W & above only	N=None PC=Button Eye Photo Control 4S=Four Struts	BK=Black BZ=Bronze DBZ=Dark Bronze WH=White GR=Green SM=Silver Metallic GY=Light Gray TBK=Textured Black CC=Custom Color (Consult Factory)



LED POST TOP



13" Radiant™



12" Radiant™



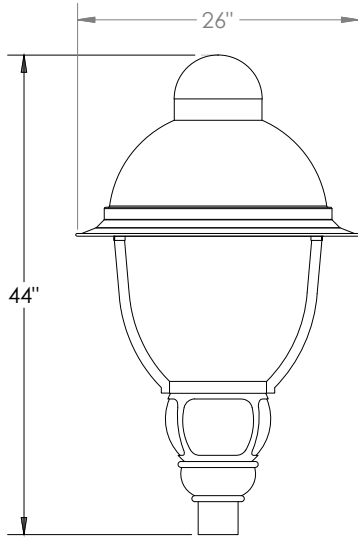
8" Radiant™

LED Module	Wattage	Nominal Lumens	System Efficacy	CCT	CRI	IES Distributions
40W5K	40	4,396	109.9	5000K	85	Type II, III, IV, V
50W5K	50	5,495	109.9	5000K	85	Type II, III, IV, V
60W5K	60	6,594	109.9	5000K	85	Type II, III, IV, V
70W5K	70	7,693	109.9	5000K	85	Type II, III, IV, V
80W5K	80	8,792	109.9	5000K	85	Type II, III, IV, V
90W5K	90	9,891	109.9	5000K	85	Type II, III, IV, V
105W5K	105	11,540	109.9	5000K	85	Type II, III, IV, V
120W5K	120	13,188	109.9	5000K	85	Type II, III, IV, V
135W5K	135	14,837	109.9	5000K	85	Type II, III, IV, V
40W4K	40	4,396	109.9	4000K	85	Type II, III, IV, V
50W4K	50	5,495	109.9	4000K	85	Type II, III, IV, V
60W4K	60	6,594	109.9	4000K	85	Type II, III, IV, V
70W4K	70	7,693	109.9	4000K	85	Type II, III, IV, V
80W4K	80	8,792	109.9	4000K	85	Type II, III, IV, V
90W4K	90	9,891	109.9	4000K	85	Type II, III, IV, V
105W4K	105	11,540	109.9	4000K	85	Type II, III, IV, V
120W4K	120	13,188	109.9	4000K	85	Type II, III, IV, V
135W4K	135	14,837	109.9	4000K	85	Type II, III, IV, V
40W3K	40	4,396	109.9	3000K	85	Type II, III, IV, V
50W3K	50	5,495	109.9	3000K	85	Type II, III, IV, V
60W3K	60	6,594	109.9	3000K	85	Type II, III, IV, V
70W3K	70	7,693	109.9	3000K	85	Type II, III, IV, V
80W3K	80	8,792	109.9	3000K	85	Type II, III, IV, V
90W3K	90	9,891	109.9	3000K	85	Type II, III, IV, V
105W3K	105	11,540	109.9	3000K	85	Type II, III, IV, V
120W3K	120	13,188	109.9	3000K	85	Type II, III, IV, V
135W3K	135	14,837	109.9	3000K	85	Type II, III, IV, V
40W27K	40	4,396	109.9	2700K	85	Type II, III, IV, V
50W27K	50	5,495	109.9	2700K	85	Type II, III, IV, V
60W27K	60	6,594	109.9	2700K	85	Type II, III, IV, V
70W27K	70	7,693	109.9	2700K	85	Type II, III, IV, V
80W27K	80	8,792	109.9	2700K	85	Type II, III, IV, V
90W27K	90	9,891	109.9	2700K	85	Type II, III, IV, V
105W27K	105	11,540	109.9	2700K	85	Type II, III, IV, V
120W27K	120	13,188	109.9	2700K	85	Type II, III, IV, V
135W27K	135	14,837	109.9	2700K	85	Type II, III, IV, V

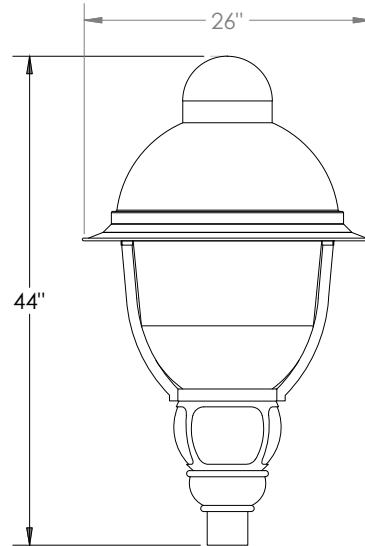
Contact the factory for
 Amber, LPS and 2200K
 lumen output



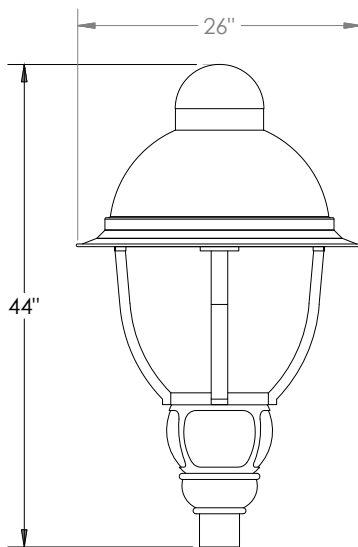
LED POST TOP



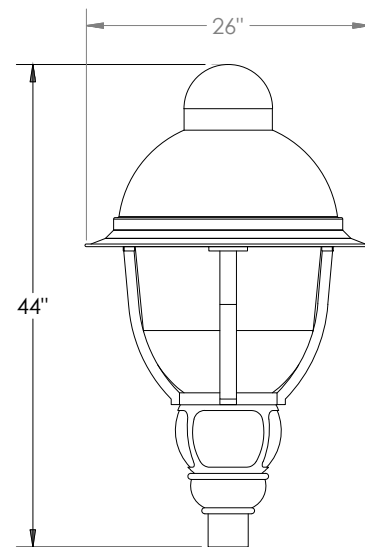
Two Struts (standard)
 No Lens/Globe



Two Struts (standard)
 with Globe



Optional 4 Struts
 No Lens/Globe



Optional 4 Struts
 with Globe