



DECORATIVE ALUMINUM ARMS



Specifications and Features:

Specifications

Pemco's Decorative Arms are constructed from aluminum sand castings. Castings are welded and heat treated, after weld, to a T6 hardness for maximum strength.

For all **wall mounted arms**, back plates are not pre-drilled at the factory. This allows installation contractors the ability to match mounting holes (by contractor) to specified mounting surfaces.

For **post/pole mounted arms**, a standard 3" x 5½" tenon is required (Pemco's T355).

Arm Orientation

Standard double arm orientation is 180°. Standard quadruple arm orientation is 90°. For triple arm configuration or custom orientation, please contact the factory.

Finish

Super durable polyester powder coat finish. Custom finishes, including patinas and all RAL colors (adder).

Warranty

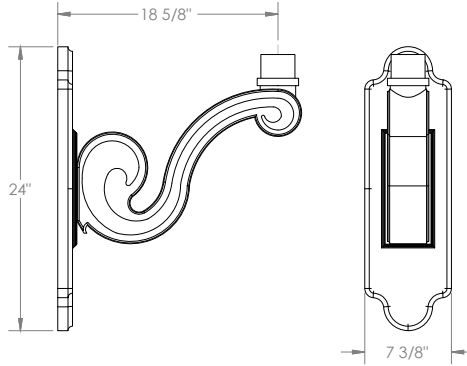
5 year limited warranty

Order Information Example: PLA521SGPMTENBK

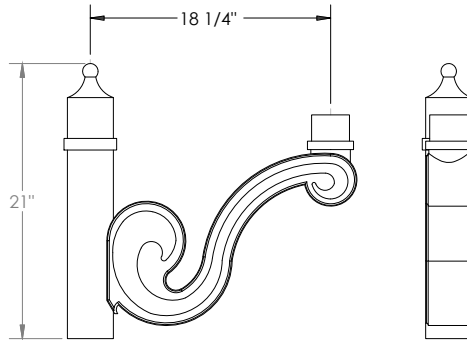
PLA521			TEN	
Model	# of Arms	Arm Mount	Fixture Mount	Finish
	SG=Single DB=Double QU=Quadruple* *QU available in Hub Mount (HB) Only	PM=Post/Pole Mount WM=Wall Mount HB=Hub Mount	TEN=Tenon Mount	STANDARD FINISHES BK=Black BZ=Bronze DBZ=Dark Bronze WH=White GR=Green SM=Silver Metallic GY=Light Gray TBK=Textured Black CC=Custom Color (Consult Factory)



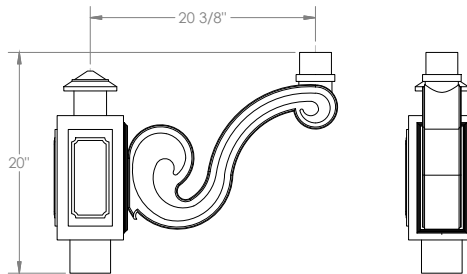
DECORATIVE ALUMINUM ARMS



PLA521-SG-WM-TEN



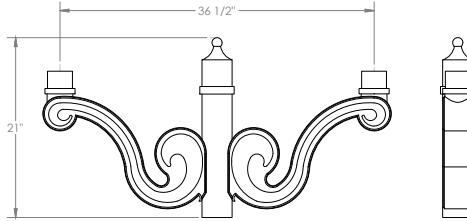
PLA521-SG-PM-TEN



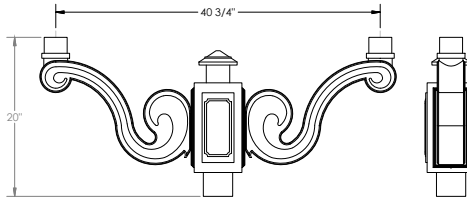
PLA521-SG-HB-TEN



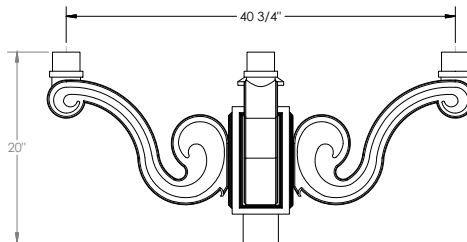
DECORATIVE ALUMINUM ARMS



PLA521-DB-PM-TEN



PLA521-DB-HB-TEN



PLA521-QU-HB-TEN