



**DECORATIVE ALUMINUM ARMS**



**Specifications and Features:**

**Specifications**

Pemco's Decorative Arms are constructed from aluminum sand castings. Castings are welded and heat treated, after weld, to a T6 hardness for maximum strength.

For *post/pole mounted arms*, a standard 3" x 5 1/2" tenon is required (Pemco's T355).

**Arm Orientation**

Standard double arm orientation is 180°. Standard quadruple arm orientation is 90°. For triple arm configuration or custom orientation, please contact the factory.

**Finish**

Super durable polyester powder coat finish. Custom finishes, including patinas and all RAL colors (adder).

**Warranty**

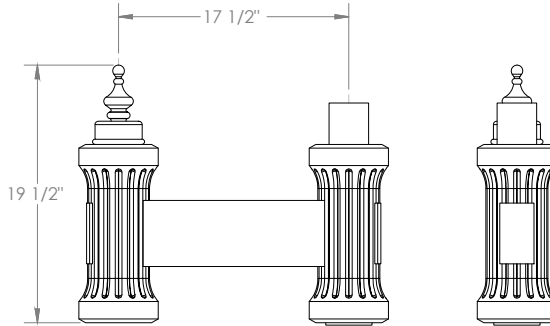
5 year limited warranty



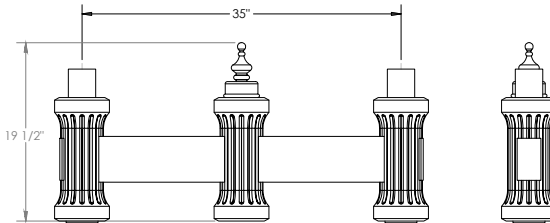
<b>Order Information Example:</b>		<b>PLA191SGPMTENBK</b>		
<b>PLA191</b>		<b>PM</b>	<b>TEN</b>	
<b>Model</b>	<b># of Arms</b>	<b>Arm Mount</b>	<b>Fixture Mount</b>	<b>Finish</b>
	SG=Single DB=Double QU=Quadruple	PM=Post/Pole Mount	TEN=Tenon Mount	<b>STANDARD FINISHES</b> BK=Black BZ=Bronze DBZ=Dark Bronze WH=White GR=Green SM=Silver Metallic GY=Light Gray TBK=Textured Black CC=Custom Color (Consult Factory)



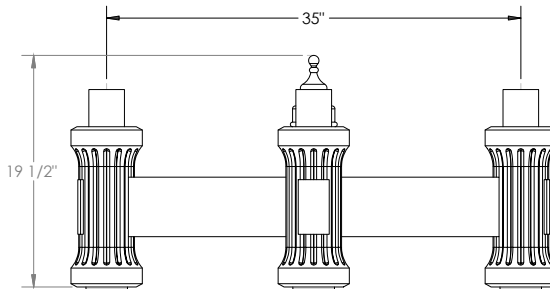
**DECORATIVE ALUMINUM ARMS**



**POST MOUNT**  
**PLA-191-SG-PM-TEN**  
 EPA: 3.4



**DOUBLE POST MOUNT**  
**PLA-191-DB-PM-TEN**  
 EPA: 5.7



**QUADRUPLE POST MOUNT**  
**PLA-191-QU-PM-TEN**  
 EPA: 7.3