



**DECORATIVE ALUMINUM ARMS**



**Specifications and Features:**

**Specifications**

Pemco's Decorative Arms are constructed from aluminum sand castings. Castings are welded and heat treated, after weld, to a T6 hardness for maximum strength.

For all **wall mounted arms**, back plates are not pre-drilled at the factory. This allows installation contractors the ability to match mounting holes (by contractor) to specified mounting surfaces.

**Arm Orientation**

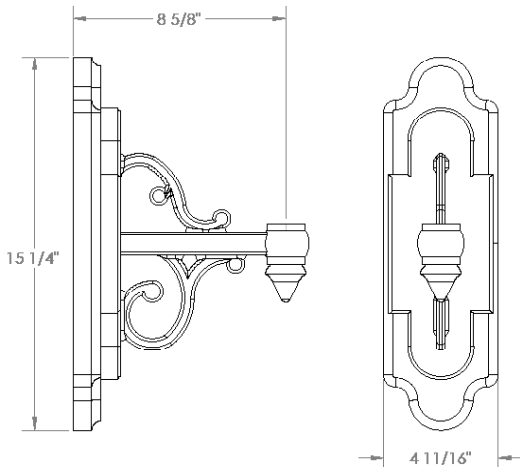
Standard double arm orientation is 180°.

**Finish**

Super durable polyester powder coat finish. Custom finishes, including patinas and all RAL colors (adder).

**Warranty**

5 year limited warranty



<b>Order Information Example:</b>		<b>PLA411SGWMBK</b>	
<b>PLA411</b>	<b>SG</b>	<b>WM</b>	
<b>Model</b>	<b># of Arms</b>	<b>Arm Mount</b>	<b>Finish</b>
	SG=Single	WM=Wall Mount	<b>STANDARD FINISHES</b> BK=Black BZ=Bronze DBZ=Dark Bronze WH=White GR=Green SM=Silver Metallic GY=Light Gray TBK=Textured Black CC=Custom Color (Consult Factory)