



**CONTEMPORARY ALUMINUM ARM**



**Specifications and Features:**

**Specifications**

Pemco's Contemporary Arms are constructed from aluminum sand castings. Castings are welded and heat treated, after weld, to a T6 hardness for maximum strength.

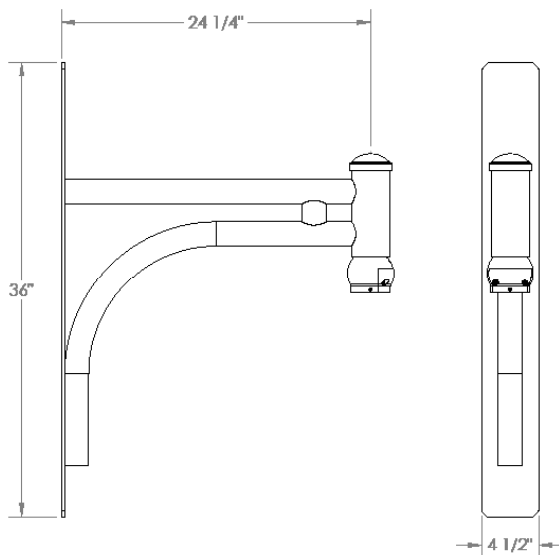
For all **wall mounted arms**, back plates are not pre-drilled at the factory. This allows installation contractors the ability to match mounting holes (by contractor) to specified mounting surfaces.

**Finish**

Super durable polyester powder coat finish. Custom finishes, including patinas and all RAL colors (adder).

**Warranty**

5 year limited warranty



PWMB-27  
 EPA: .8  
 WEIGHT: 65 lbs (max.)

Order Information Example:		PWMB27SGWMBK	
PWMB27	SG	WM	
Model	# of Arms	Arm Mount	Finish
	SG=Single	WM=Wall Mount	<b>STANDARD FINISHES</b> BK=Black BZ=Bronze DBZ=Dark Bronze WH=White GR=Green SM=Silver Metallic GY=Light Gray TBK=Textured Black CC=Custom Color (Consult Factory)