



A L U M I N U M P O L E S



Specifications and Features:

- 8' to 35' mounting heights
- For single or multiple luminaire mounting
- Luminaires may be mounted on tenons, brackets or shaft may be drilled to manufacturer's mounting specifications

Structural Base

A356 alloy sand cast aluminum, four bolt base. An extra large access cover is included. A grounding lug is also provided.

Handholes

All square standards include a peripherally reinforced surface-mounted covered handhole centered 18" above the bottom of the standard. The opening is rectangular in shape with the major dimensions along the vertical axis. The opening in the 4" square standards is 2" x 4" and the 5" and 6" square standards are 2 1/2" x 4". Handholes with larger openings may be available as an option.

Tenons

T300=Standard for post top (2 7/8" OD x 3" tall)

T355=Standard for shepherd's crooks (2 7/8" OD x 5.5" tall)

CAP=No tenon, removable cap

Anchor Bolts

Standard with each pole: includes four 3/4-10 x 25" steel hot dip galvanized anchor bolts each with two nuts, two flat washers and one lock washer.

Finish - Super Durable Polyester TGIC Powder Coat

- Standard finishes: high gloss black, textured black, high gloss white, medium bronze, dark bronze, green, gray, silver metallic
- Premium finishes (adder): Verde patina, pewter patina, silver sparkle, semi-gloss or matte black, satin brushed
- Custom and Marine-grade finishes are available. All RAL colors are available to match (adder)

Accessories (Adder)

GFIC=Weatherproof GFI in-use cover, cast aluminum (must indicate location)

GFIP=Weatherproof GFI in-use cover, plastic (must indicate location)

USB=Dual USB port (must indicate location)

BOLT COVERS
CAPS



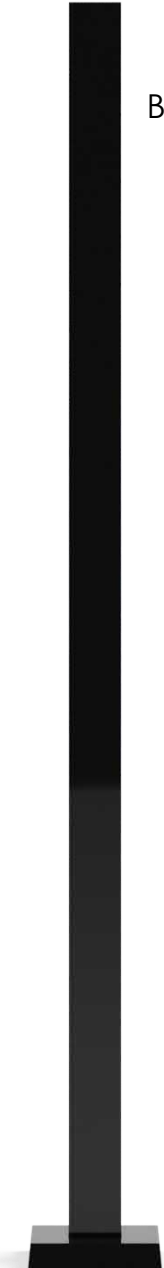
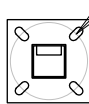
MOUNTING
HEIGHT



18"

SEE CHART

9 3/4"





A L U M I N U M P O L E S



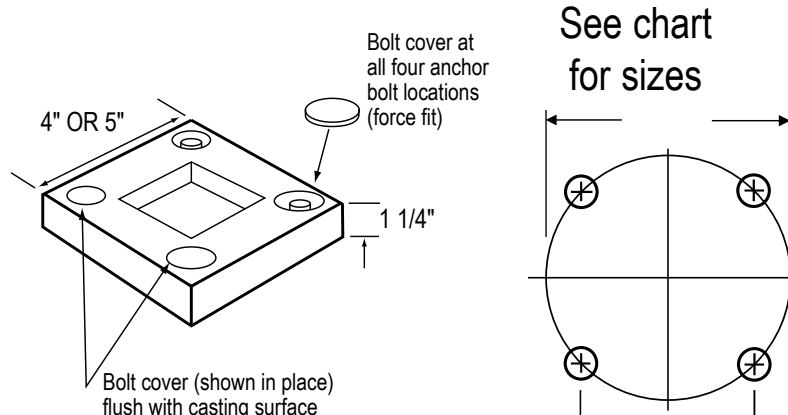
Order Information Example: S48A125T300NSB

S	Diameter	Height	A	Wall Size	Tenon	Accessories	Finish	Anchor Bolts
S=Square	4=4" straight 5=5" straight 6=6" straight	8=8' 10=10' 12=12' 14=14' 15=15' 16=16' 18=18' 20=20' 25=25' 30=30' 32=32' 35=35'	A=Anchor Base	Refer to chart	N=None T300=2 1/4" OD x 3" tall T355= 2 1/4" OD x 5.5" tall CAP=Removable cap, no tenon	N=None GFIC=GFI in-use cover, cast aluminum* GFIP=GFI in-use cover, plastic* USB=Dual USB Port* *Indicate location	STANDARD FINISHES BK=Black BZ=Bronze DBZ=Dark Bronze WH=White GR=Green SM=Silver Metallic GY=Light Gray TBK=Textured Black Premium Colors (adder) SB=Satin Brushed VP=Verde Patina SS=Silver Sparkle PP=Pewter Patina CC=Custom Color (Consult Factory)	Leave blank if you need anchor bolts LAB=Less Anchor Bolts - Customer supplies own anchor bolts* *Customer is responsible for specifications of their own anchor bolts. Pemco does not assume any product warranty liability.

ANCHOR BASE AND BOLT DETAIL

Pole Diameter	Bolt Circle	Bolt Projection	Bolt Size	Conduit Opening	Base Height	Base Size
4"	8 1/2" - 9 5/8"	3 1/8"	3/4" x 25"	3 1/2"	2"	9 15/16"
5"	10 1/2" x 11 1/2"	3 1/4"	3/4" x 25"	4 1/2"	2 1/2"	11 9/16"
6"	12" x 13"	4"	1" x 36"	5 1/2"	2 3/4"	12 1/4"

Actual anchor bolt size may differ slightly





A L U M I N U M P O L E S



POLES		TYPICAL WEIGHT AND ALLOWABLE SIZE OF LUMINAIRES*						DIMENSIONS OF STANDARDS		
MODEL NUMBER	MOUNT HEIGHT	LUMINAIRE WEIGHT-LBS	EFFECTIVE PROJECTED AREA-SQ FT-AT:					STANDARD HEIGHT	OUTSIDE DIMENSION	WALL
			70 MPH	80 MPH	90 MPH	100 MPH	110 MPH			
S48-A/125	8'	75	22.1	16.5	12.6	9.9	7.8	8'	4"	.125†
S410-A/125	10'	150	15.7	11.5	8.6	6.5	5.0	10'	4"	.125†
S412-A/125	12'	150	11.6	8.3	5.9	4.3	3.1	12'	4"	.125†
S412-A/125	12'	150	17.0	12.4	9.2	6.9	5.2	12'	4"	.125‡
S414-A/125	14'	150	8.7	5.9	4.0	2.6	1.6	14'	4"	.125†
S414-A/125	14'	150	13.1	9.3	6.7	4.8	3.4	14'	4"	.125‡
S415-A/125	15'	150	7.4	4.9	3.1	1.9	1.0	15'	4"	.125†
S415-A/125	15'	150	11.5	8.0	5.6	3.9	2.6	15'	4"	.125‡
S416-A/125	16'	150	6.4	4.0	2.4	1.2	-	16'	4"	.125†
S416-A/125	16'	150	10.1	6.9	4.7	3.1	1.9	16'	4"	.125‡
S416-A/188	16'	150	12.2	8.5	5.9	4.1	2.8	16'	4"	.188†
S416-A/188	16'	150	16.5	11.8	8.5	6.2	4.5	16'	4"	.188‡
S418-A/125	18'	150	4.5	2.5	1.1	-	-	18'	4"	.125†
S418-A/125	18'	150	7.7	4.9	3.0	1.7	0.7	18'	4"	.125‡
S418-A/188	18'	150	9.5	6.3	4.1	2.6	1.4	18'	4"	.188†
S418-A/188	18'	150	13.2	9.2	6.4	4.4	2.9	18'	4"	.188‡
S518-A/188	18'	150	17.2	12.0	8.4	5.8	3.9	18'	5"	.188†
S518-A/188	18'	150	23.6	16.8	12.2	8.9	6.5	18'	5"	.188‡
S420-A/125	20'	150	2.9	1.2	-	-	-	20'	4"	.125†
S420-A/125	20'	150	5.7	3.3	1.7	0.5	-	20'	4"	.125‡
S420-A/188	20'	150	7.3	4.6	2.6	1.3	-	20'	4"	.188†
S420-A/188	20'	150	10.6	7.0	4.6	2.9	1.6	20'	4"	.188‡
S520-A/188	20'	150	13.9	9.3	6.2	3.9	2.2	20'	5"	.188†
S520-A/188	20'	150	19.5	13.6	9.5	6.6	4.3	20'	5"	.188‡
S620-A/188	20'	150	20.7	14.2	9.8	6.6	4.3	20'	6"	.188†
S620-A/188	20'	150	30.8	22.0	15.9	11.6	8.4	20'	6"	.188‡
S620-A/250	20'	150	31.5	22.5	16.4	11.9	8.7	20'	6"	.250†
S620-A/250	20'	150	41.9	30.4	22.6	17.0	12.9	20'	6"	.250‡
S525-A/188	25'	200	7.4	4.0	1.7	-	-	25'	5"	.188†
S525-A/188	25'	200	11.6	7.2	4.2	2.0	0.5	25'	5"	.188‡
S625-A/188	25'	200	12.2	7.3	4.0	1.6	-	25'	6"	.188†
S625-A/188	25'	200	19.8	13.2	8.6	5.4	3.0	25'	6"	.188‡
S625-A/250	25'	200	20.5	13.7	9.0	5.7	3.2	25'	6"	.250†
S625-A/250	25'	200	28.3	19.7	13.8	9.5	6.4	25'	6"	.250‡
S630-A/188	30'	200	6.2	2.4	-	-	-	30'	6"	.188†
S630-A/188	30'	200	12.2	7.0	3.4	0.8	-	30'	6"	.188‡
S630-A/250	30'	200	12.8	7.4	3.8	1.1	-	30'	6"	.250†
S630-A/250	30'	200	19.0	12.2	7.5	4.1	1.6	30'	6"	.250‡
S632-A/250**	32'	200	10.3	5.4	2.0	-	-	32'	6"	.250†
S632-A/250**	32'	200	16.0	9.7	5.4	2.3	-	32'	6"	.250‡
S635-A/250**	35'	200	6.9	2.5	-	-	-	35'	6"	.250†
S635-A/250**	35'	200	12.0	6.4	2.6	-	-	35'	6"	.250‡