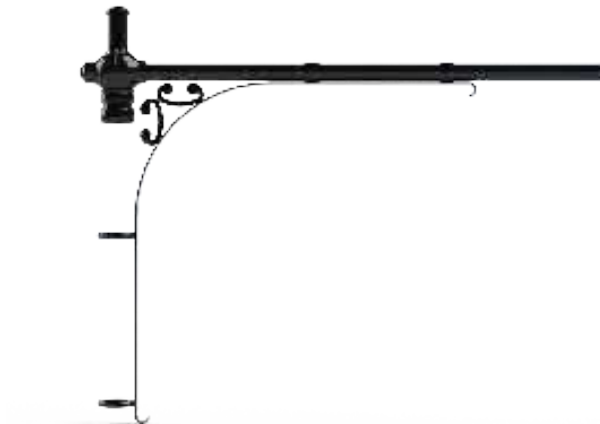




ROADWAY ARMS



Specifications and Features:

Specifications

Arms are constructed of cast aluminum.
 Mounting: Arms are tenon mounted to the pole. A tall tenon is required. If using a Pemco pole, choose tenon T355.

Requirements

Decorative Luminaire Mounting Device (ordered separately on 2nd page) is required for this arm. This device is used for pendant mounted fixtures only. Horizontally mounted fixtures fit directly to a 2 3/8" slip fitter.

Arm Orientation

Standard double arm orientation is 180°. For custom orientation, please contact the factory.

Finish

Super durable polyester powder coat finish. Custom finishes available, including patinas and all RAL colors.

Warranty

5 year limited warranty.

Weight load per arm: 70 lbs.

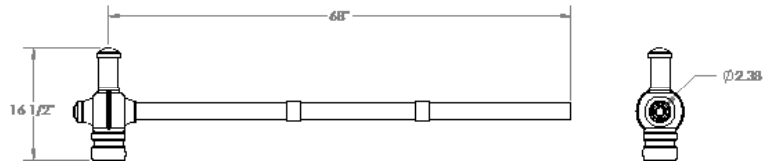
| Order Information Example: | | PLA928SGPM48PENBK | | | |
|----------------------------|------------------------|--------------------|--|----------------------|---|
| Model | # of Arms | Arm Mount | Fixture Mount | Options | Finish |
| PLA928 | SG=Single DB=Double | PM=Post/Pole Mount | TEN=Horizontal Tenon Mount PEN=Pendant Mount* *Must order separate Mounting Device (last page) | N=None SCR=Scroll | STANDARD FINISHES BK=Black BZ=Bronze DBZ=Dark Bronze WH=White GR=Green SM=Silver Metallic GY=Light Gray TBK=Textured Black CC=Custom Color (Consult Factory) |



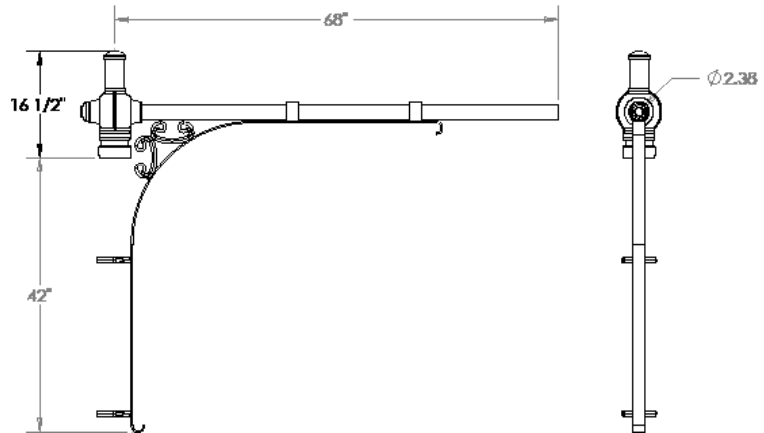
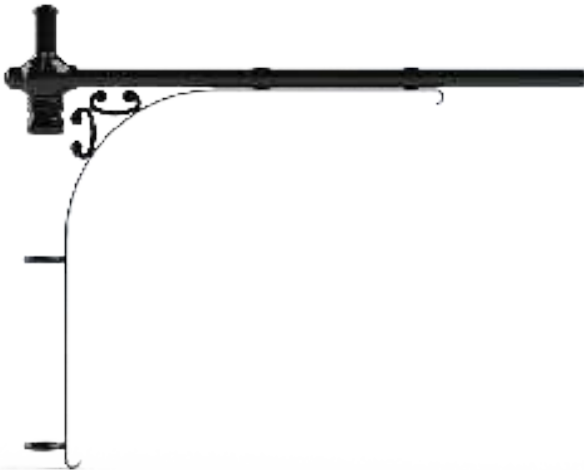
ROADWAY ARMS



PLA928-SG-NO SCROLL



PLA928-SG-WITH SCROLL

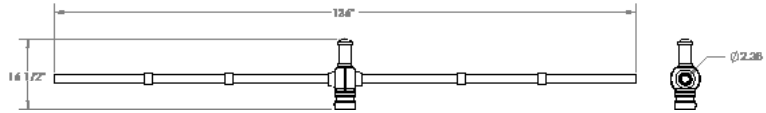




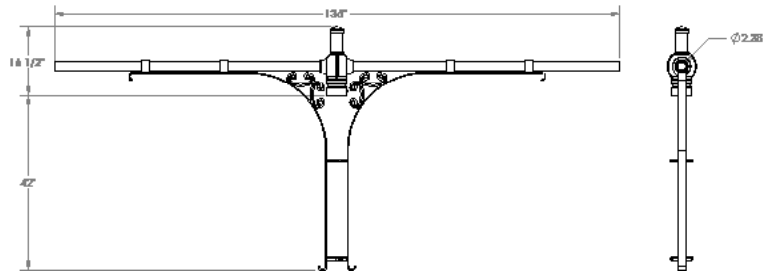
ROADWAY ARMS



PLA928-DB-NO SCROLL



PLA928-DB-WITH SCROLL

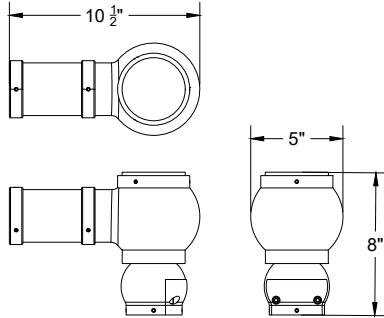




ROADWAY ARMS



PMD-002-RD



Specifications and Features:

Specifications

All mounting devices fit 2³/₈" horizontal oriented arms attached with six 1¹/₄"-20 set screws.
 Mounting devices (knuckles) are used as levelers for pendant mounted luminaires.

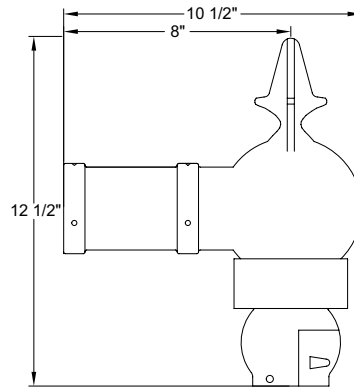
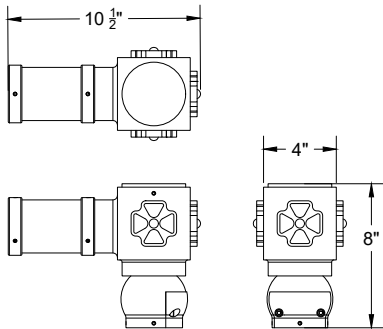
Options (for PMD-001 & PMD-002 only)

- 3-pin twist-lock receptacle (PCR3). Sensor by others.
- 7-pin twist-lock receptacle (PCR7). Sensor by others.
- Finial



PMD-001-SQ

PMD-001-SQ shown with optional BA Finial (adder)



PMD-003-CF

Order Information Example:

PMD001SQNNBK

| PMD | Model | Style | Finial | Options | Finish |
|-----|-------|--|--|---|--|
| | | 001-SQ=Square 002-RD=Round 003-CF=Round Casting with integrated finial | N=None BA=Ball Finial* AC=Acorn Finial* *PMD001 & PMD002 Only | N=None PCR3=3-Pin Twist-Lock Receptacle* PCR7=7-Pin Twist-Lock Receptacle* *PMD001 & PMD002 Only. Photo cell not included. | STANDARD FINISHES BK=Black BZ=Bronze DBZ=Dark Bronze WH=White GR=Green SM=Silver Metallic GY=Light Gray TBK=Textured Black CC=Custom Color (Consult Factory) |