



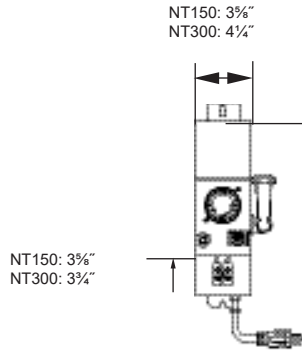
ACCESSORIES



NT150BK



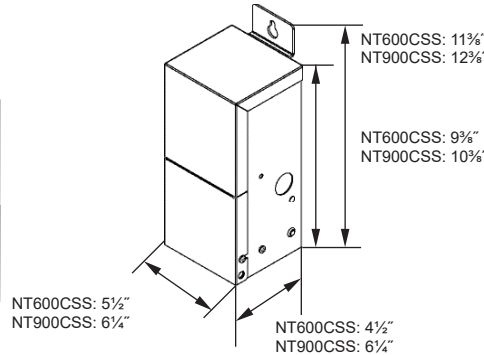
NT300SS,
NT300SSM



NT600CSS



NT900CSS



Specifications and Features:

Housing:

NT150 & NT300

Rugged Stainless Steel or Steel with Black Powdercoat Finish Housing. Includes European Automatic Timer, Photocell & 3' Power Cord with Molded 3-Prong Plug.

NT600 & NT900

Rugged Stainless Steel Construction, Integral Mounting Brackets, Knockouts on Bottom and Side Panels for Photocells, Timers and Conduit. Removable Access Panel for Wiring. Three ft. 12-Gauge Power Cord with Molded 3-Prong Plug. On/Off Toggle Switch for each Circuit.

Electrical:

120V Primary, Available in 150w and 300w (NT150 & NT300) or 600w & 900w (NT600 & NT900), 12V Secondary. NT300SSM Model is Multi-Tap: 12/14/17V.

Listings & Ratings:

Listed, Tested to CSA Standard C22.2, File#210625
 Landscape Lighting Systems - Low Voltage

ORDERING GUIDE

Catalog #	Wattage	Voltage	Finish
NT150BK	150	120	Black
NT300SS	300	120	Stainless Steel
NT300SSM	300	120	Stainless Steel
NT600CSS	600	120	Stainless Steel
NT900CSS	900	120	Stainless Steel