



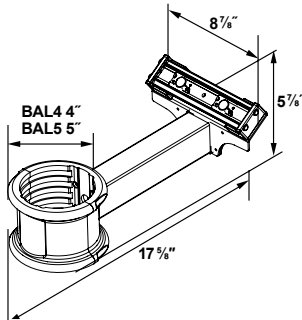
ACCESSORIES



L70
25°C 106,000 Hours



Dimensions:



The Pemco BAL pole mounted banner luminaire is available with a 4" or 5" die cast aluminum pole clamp to illuminate pole mounted banners. Fixture includes integral photocell for dusk to dawn automatic operation. Typical lighting applications include retail centers, industrial parks, schools and universities, public transit and airports, office buildings and medical facilities.

Specifications and Features:

Housing:

Die Cast and Extruded Aluminum Housing with Separate Driver Compartment in Mounting Arm.

Listing & Ratings:

CSA: Listed for Wet Locations, ANSI/UL 1598, 8750; IP66 Sealed LED Extrusion.

Finish:

Textured Architectural Black Powdercoat Finish.

Wiring:

Includes 15' 3-Wire Cord.

Mounting Options:

4" or 5" Die Cast Aluminum Pole Clamps

COB LED:

LED COB

Wattage:

LED: 2x5w; System: 10w

Driver:

Electronic Driver, 120-277V, 50/60Hz; Less Than 20% THD and PF>0.90. Standard Internal Surge Protection 2kV. 0-10V Dimming Standard for a Dimming Range of 100% to 10%; Dimming Source Current is 150 Microamps.

Controls:

Fixtures Provided with Factory-Installed Photocell That is Internally Wired for Switching Within the Housing. Remote Direct Wired Interface of 1-10V Dimming is Not Implied and May Not Be Available, Please Consult Factory. Fixtures May Not Function Properly With Controls Supplied By Others. Fixtures are NOT Designed for Use with Line Voltage Dimmers.

Warranty:

5-Year Warranty for -30°C to +50°C Environment.

See Page 2 for Projected Lumen Maintenance Table.

Order Information Example:

BAL-4-C32X5-U-4K-B

BAL		C32X5	U	4K	B
Model	Mounting	Wattage	Driver	CCT	Finish
BAL=LED Pole Mounted Banner Light	4=4" Pole Clamp 5=5" Pole Clamp	C32X5=10W	U=120-277V	4K=4000K	STANDARD FINISHES B=Black





ACCESSORIES



Accessories & Replacement Parts:



BAL4CB

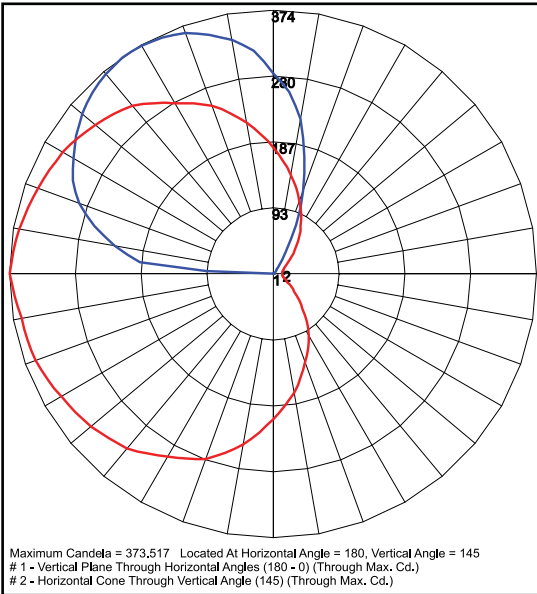


BAL5CB

Replacement Parts (Order separately, Field installed)

BAL4CB	4" Die Cast Aluminum Pole Clamp, Black Powdercoat Finish, Hardware Included.
BAL5CB	5" Die Cast Aluminum Pole Clamp, Black Powdercoat Finish, Hardware Included.

Photometric Data



BAL*C32X5U4K

Photometric Performance

LED Board Watts	Drive Current (mA)	Input Watts	Lumens	4000 CCT 80 CRI			
				LPW	B	U	G
COB LED 10w	350	9	781	87	0	4	0

Projected Lumen Maintenance

Data shown for 4000 CCT			Compare to MH			
TM-21-11	Input Watts	Initial	25,000 Hrs	50,000 Hrs	100,000 Hrs	Calculated L70@ 25°C
BAL L70 Lumen Maintenance @ 25°C / 77°F	9	1.00	0.93	0.86	0.72	106,000
TM-21-11	Input Watts	Initial	25,000 Hrs	50,000 Hrs	100,000 Hrs	Calculated L70@ 50°C
BAL L70 Lumen Maintenance @ 50°C / 122°F	9	1.00	0.91	0.83	0.66	88,000
TM-21-11	Input Watts	Initial	25,000 Hrs	50,000 Hrs	100,000 Hrs	Calculated L80@ 40°C
BAL L80 Lumen Maintenance @ 40°C / 104°F	9	1.00	0.92	0.84	0.67	61,000

NOTES:

1. Projected per IESNA TM-21-11. Data references the extrapolated performance projections for the 350mA base model in a 25°C ambient, based on 10,000 hours of LED testing per IESNA LM-80-08.
2. Compare to MH box indicates suggested Light Loss Factor (LLF) to be used when comparing to Metal Halide (MH) systems.