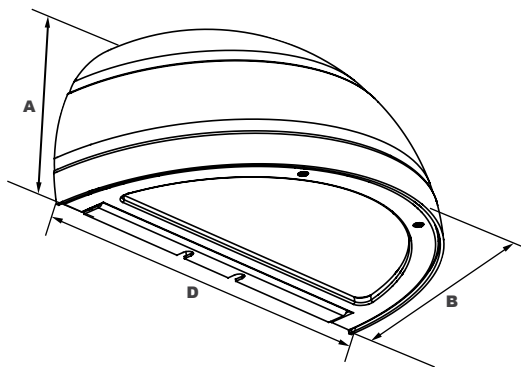




CRESCENT WALL SCONCE

L70
25°C 393,000 Hours



Dimensions	
Width (D)	18 1/8" (460mm)
Length (B)	9 1/16" (229mm)
Height (A)	9 9/16" (233mm)

Pemco's CREST36 cut-off architectural wall luminaire is available with an IES Type III distribution designed to replace HID lighting systems from 150w to 250 MH or HPS. Typical wall mounted lighting applications include retail centers, industrial parks, schools and universities, public transit and airports, office buildings and medical facilities. Mounting heights of 12 to 20 feet can be used based on light level and uniformity requirements.

Specifications and Features:

Housing:

Die Cast Aluminum Housing with Full Cutoff Front Frame. Nickel-Plated Stainless Steel Hardware.

Listing & Ratings:

CSA: Listed for Wet Locations, ANSI/UL 1598, 8750; IP65 Sealed LED Compartment. Meets Dark Sky Requirements.

Finish:

Textured Architectural Bronze Powdercoat Finish Over a Chromate Conversion Coating. Custom Colors Available Upon Request.

Lens:

Tempered Clear Flat Glass Lens

Mounting Options:

Mount Directly Over a 4" Recessed Outlet Box, Includes Easy-Hang "Two Hands Free" Wall Mounting Bracket with Built-In Level.

EasyLED LED:

Aluminum Boards

Wattage:

23w Array: 26w, System: 26w
 47w Array: 46.5w, System: 52w

Driver:

Electronic Driver, 120-277V, 50/60Hz or 347-480V, 50/60Hz; Less Than 20% THD and PF>0.90. Standard Internal Surge Protection 6kV. 0-10V Dimming Standard for a Dimming Range of 100% to 10%; Dimming Source Current is 150 Microamps.

Warranty:

5-Year Warranty for -40°C to +40°C Environment.

See Page 3 for Projected Lumen Maintenance Table.



DesignLights Consortium™
 Qualified Luminares:
 Contact Factory





CRESCENT WALL SCONCE

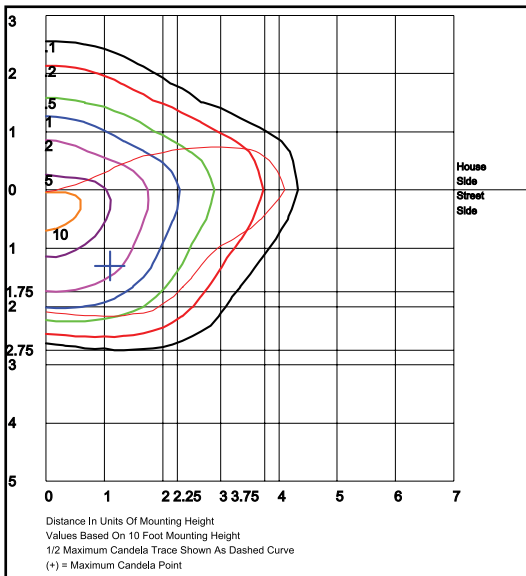
Order Information Example:		CREST36C1X47U5KCZSP					
Model	Optics	Wattage	Driver	CCT	Lens	Color	Options
CREST36= EasyLED Wall Sconce	C=Type III	1X23=23w 1X47=47w	U=120-277V H=347-480V	3K=3000K 4K=4000K 5K=5000K	C=Clear Flat Glass Lens	Z=Bronze C=Custom (Consult Factory)	SF=Single Fuse* DF=Double Fuse* SP=Surge Protection BU=Battery Backup, 90 Minutes* BUC=Cold Start Battery Backup, -20°C, 90 Minutes* *120-277V Models Only.

Accessories & Replacement Parts:

Replacement Parts (Order Separately, Field Installed)

WPC36GLC	Tempered Clear Flat Glass Lens.
For Replacement Battery Backup, see the LEPG LED Battery Backup Specification Sheet.	

Photometric Data



CREST36C1X47U5KC
Type III
Grid in MH
MH=16 Feet



CRESCENT WALL SCONCE

Photometric Performance

Wattage (Catalog Logic)		23W (1X23)	47W (1X37)
Input Watts		26W	52.9W
Optic	CCT	Delivered Lumens	
C = Type III	3000K	2,228	4,552
	4000K	2,318	4,736
	5000K	2,408	4,921
	BUG Rating	B1-U1-G1	B1-U1-G1

Projected Lumen Maintenance

Data shown for 5000 CCT		Compare to MH				
TM-21-11	Input Watts	Initial	25,000 Hrs	50,000 Hrs	100,000 Hrs	Calculated LED Life
L70 Lumen Maintenance @ 25°C / 77°F	All wattages up to and including 53w	1.00	0.98	0.96	0.92	393,000
L70 Lumen Maintenance @ 50°C / 122°F		1.00	0.97	0.93	0.86	219,000
L80 Lumen Maintenance @ 40°C / 104°F		1.00	0.97	0.94	0.89	180,000

NOTES:

1. Projected per IESNA TM-21-11. Data references the extrapolated performance projections for the 525mA base model in a 25°C ambient, based on 10,000 hours of LED testing per IESNA LM-80-08.
2. Compare to MH box indicates suggested Light Loss Factor (LLF) to be used when comparing to Metal Halide (MH) systems.