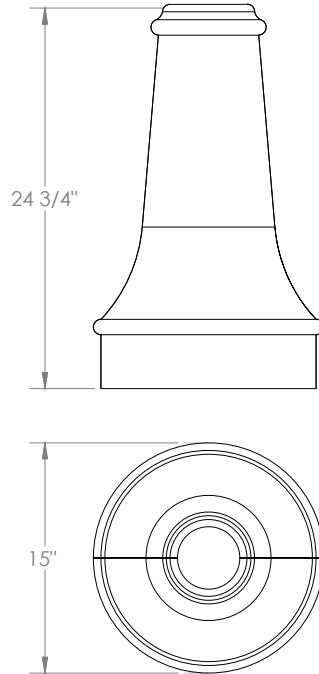




DECORATIVE ALUMINUM CLAMSHELL WRAP



Specifications and Features:

- 4"
- 5"
- 6"
- Straight or tapered, smooth or fluted poles

Structural Base

A356 alloy sand cast aluminum, four bolt base. An extra large access cover is included. A grounding lug is also provided.

Finish - Super Durable Polyester TGIC Powder Coat

- Standard finishes: high gloss black, textured black, high gloss white, medium bronze, dark bronze, green, gray, silver metallic.
- Premium finishes (add): Verde patina, pewter patina, silver sparkle, semi-gloss or matte black Custom and Marine-grade finishes are available.
- All RAL colors are available to match (add).

Order Information Example:		PLB6065BK
PLB606		
Model	Diameter	Finish
	4=4" 5=5" 6=6"	STANDARD FINISHES BK =Black BZ =Bronze DBZ =Dark Bronze WH =White GR =Green SM =Silver Metallic GY =Light Gray TBK =Textured Black CC =Custom Color (Consult Factory)