



**WALL MOUNT LIGHTING**

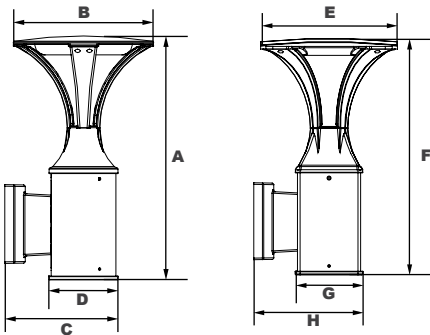
**L70**  
25°C  
**187,000 Hours**



**CAV13Q - Cavalier Round Wall Sconce**

**CAV14Q - Cavalier Square Wall Sconce**

Shown with Battery Backup Option. Includes Factory Wired Back Box for Battery Backup



**CAV13Q Dimensions**

|                     |                 |
|---------------------|-----------------|
| <b>Width (B)</b>    | 10 1/4" (260mm) |
| <b>Height (A)</b>   | 17 3/4" (452mm) |
| <b>Diameter (D)</b> | 5" (127mm)      |
| <b>Length (C)</b>   | 8 1/4" (207mm)  |

**CAV14Q Dimensions**

|                     |                 |
|---------------------|-----------------|
| <b>Width (E)</b>    | 10 1/4" (260mm) |
| <b>Height (F)</b>   | 17 3/4" (449mm) |
| <b>Diameter (G)</b> | 5" (128mm)      |
| <b>Length (H)</b>   | 8 1/4" (207mm)  |

Pemco's CAV13Q and CAV14Q EasyLED Cavalier Cutoff Architectural Wall Sconces provide controlled down lighting with a uniform distribution designed to replace HID lighting systems up to 70w MH or HPS. Typical wall mounted lighting applications include retail centers, industrial parks, schools and universities, public transit and airports, office buildings and medical facilities. Mounting heights of 8 to 16 feet can be used based on light level and uniformity requirements.

**Specifications and Features:**

**Housing:**

Die Cast Aluminum Housing with Flush Mount Easy-Hang Wall Bracket, Built-In Level, Flat Top, Sealed Driver Compartment. Photocell Adaptable.

**Listing & Ratings:**

CSA: Listed for Wet Locations, ANSI/UL 1598, 8750; IP66 Sealed LED Compartment.

**Finish:**

Textured Architectural Bronze or Black Powdercoat Finish Over a Chromate Conversion Coating. Custom Colors Available Upon Request.

**Lens:**

Clear UV-Stabilized Polycarbonate or SoftLED LumaLens Opal UV-Stabilized Polycarbonate Vandal-Resistant Inner Lens to Seal LED Array.

**Mounting Options:**

Mount over a 4" Recessed Outlet Box.

**EasyLED LED:**

Aluminum Boards

**Wattage:**

Array: 16.6w, System: 18.1w; (70w HID Equivalent)  
 Array: 25w, System: 27.2w; (70w HID Equivalent)

**Driver:**

Electronic Driver, 120-277V, 50/60Hz; Less Than 20% THD and PF>0.90. Standard Internal Surge Protection 2kV. 0-10V Dimming Standard for a Dimming Range of 100% to 10%; Dimming Source Current is 150 Microamps.

**Controls:**

Fixtures Ordered with Factory-Installed Photocell or Motion Sensor Controls are Internally Wired for Switching and/or 1-10V Dimming Within the Housing. Remote Direct Wired Interface of 1-10V Dimming is Not Implied and May Not Be Available, Please Consult Factory. Fixtures are Tested with LEPC Controls and May Not Function Properly With Controls Supplied By Others. Fixtures are NOT Designed for Use with Line Voltage Dimmers.

**Battery Backup:**

Battery Backup Option Includes Accessory Housing (Ships Separately). Empty Accessory Housing is Available For Use When a Uniform Building Aesthetic is Desired.

**Warranty:**

5-Year Warranty for -40°C to +50°C Environment.

See Page 4 for Projected Lumen Maintenance Table.





**WALL MOUNT LIGHTING**

**Order Information Example: CAV14QF1X16U5KCZSP**

| Model   | Optics                     | Wattage                              | Driver             | CCT                                  | Lens   | Color   | Options   |
|---|----------------------------|--------------------------------------|--------------------|--------------------------------------|--|---|---|
| <b>CAV13Q</b> =Cavalier Round Wall Sconce<br><b>CAV14Q</b> =Cavalier Square Wall Sconce | <b>F</b> =Wide Beam Spread | <b>1X16</b> =16w<br><b>1X25</b> =25w | <b>U</b> =120-277V | <b>4K</b> =4000K<br><b>5K</b> =5000K | <b>C</b> =Clear UV-Stabilized Polycarbonate Array Lens<br><b>L</b> =SoftLED LumaLens Opal UV-Stabilized Polycarbonate Array Lens | <b>Z</b> =Bronze<br><b>B</b> =Black<br><b>C</b> =Custom (Consult Factory) | <b>SF</b> =Single Fuse*<br><b>DF</b> =Double Fuse*<br><b>SP</b> =Surge Protection<br><b>PC3</b> =Photocell, 120-277VAC<br><b>BU4</b> =Battery Backup, 90 Minutes*<br><b>BUC4</b> =Cold Start Battery Backup, -20°C, 90 Minutes*<br>*120-277V Models Only. |

**Accessories & Replacement Parts:**

**Accessories (Order Separately, Field Installed)**  
 ACCHSG4\* Empty Die Cast Accessory Housing, Powdercoat Finish  
 \*Specify Color: Z=Bronze, B=Black, C=Custom (Consult Factory)



**ACCHSG4**

**Replacement Parts (Order Separately, Field Installed)**  
 B3LL SoftLED LumaLens Opal UV-Stabilized Polycarbonate Array Lens  
 B4LL SoftLED LumaLens Opal UV-Stabilized Polycarbonate Array Lens

P18103 120-277VAC Photocell

For Replacement Battery Backup, see the LEPG LED Battery Backup Specification Sheet.

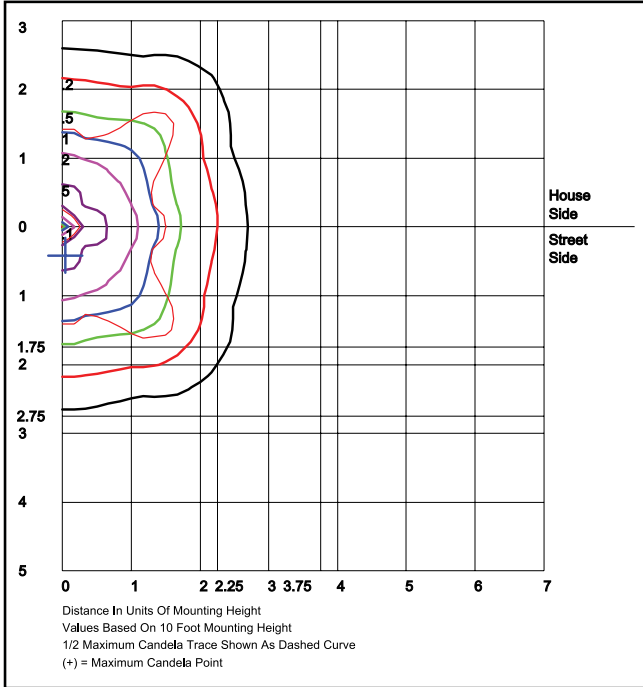


**P18103**

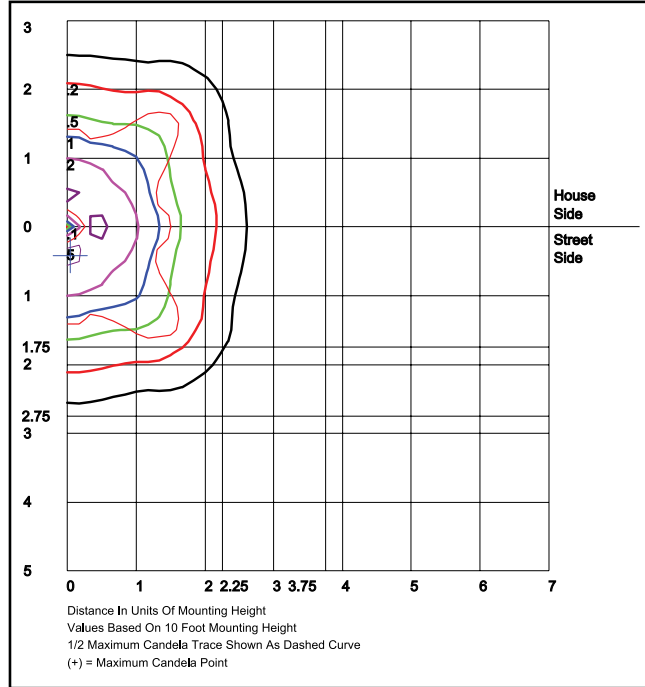


**WALL MOUNT LIGHTING**

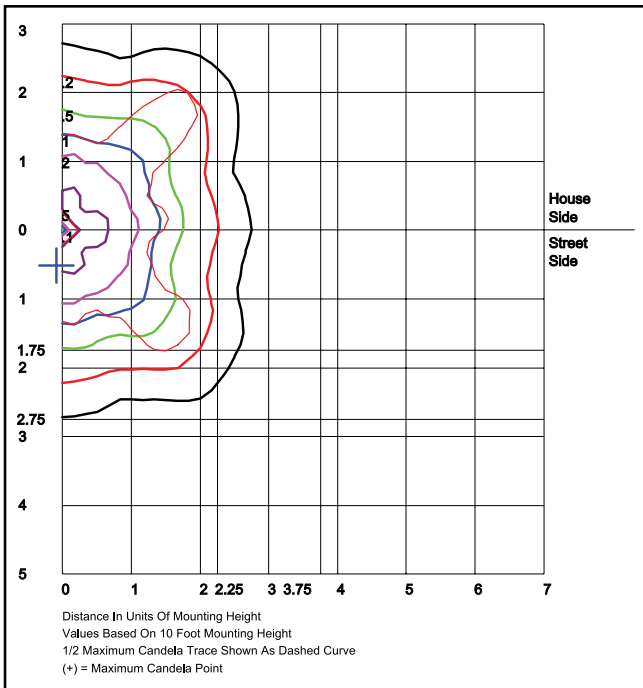
**Photometric Data**



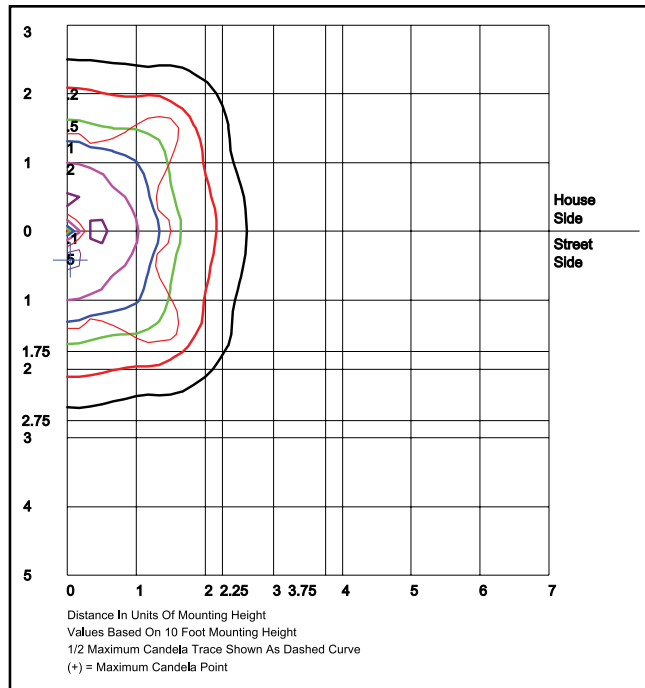
**CAV13QF1X25U5KC**  
 Type V-Clear Glass



**CAV13QF1X25U5KL**  
 Type V-LumaLens



**CAV14QF1X25U5KC**  
 Type V-Clear Glass



**CAV14QF1X25U5KL**  
 Type V-LumaLens



**WALL MOUNT LIGHTING**

**Photometric Performance**

| Optic                                 | Wattage (Catalog Logic) |            | Delivered Lumens |  |
|---------------------------------------|-------------------------|------------|------------------|--|
|                                       | Input Watts             | 16W (1X16) | 25W (1X25)       |  |
| CAV13 with Clear Glass F=Type V Optic | 4000K                   | 1,662      | 2,493            |  |
|                                       | 5000K                   | 1,731      | 2,597            |  |
|                                       | BUG Rating              | B1-U3-G1   | B1-U3-G1         |  |
| CAV13 with LumaLens F=Type V Optic    | 4000K                   | 1,457      | 2,185            |  |
|                                       | 5000K                   | 1,517      | 2,276            |  |
|                                       | BUG Rating              | B1-U2-G1   | B1-U3-G1         |  |

| Optic                                 | Wattage (Catalog Logic) |            | Delivered Lumens |  |
|---------------------------------------|-------------------------|------------|------------------|--|
|                                       | Input Watts             | 16W (1X16) | 25W (1X25)       |  |
| CAV14 with Clear Glass F=Type V Optic | 4000K                   | 1,740      | 2,610            |  |
|                                       | 5000K                   | 1,813      | 2,719            |  |
|                                       | BUG Rating              | B1-U2-G1   | B1-U3-G1         |  |
| CAV14 with LumaLens F=Type V Optic    | 4000K                   | 1,525      | 2,288            |  |
|                                       | 5000K                   | 1,589      | 2,383            |  |
|                                       | BUG Rating              | B1-U2-G1   | B1-U3-G1         |  |

**Projected Lumen Maintenance**

| Data shown for 5000 CCT<br>TM-21-11        | Input Watts | Compare to MH |            |            |             | Calculated LED Life |
|--|-------------|---------------|------------|------------|-------------|---------------------|
|  |             | Initial       | 25,000 Hrs | 50,000 Hrs | 100,000 Hrs |                     |
| CAV13 L70 Lumen Maintenance @ 25°C / 77°F  | 27          | 1.00          | 0.96       | 0.92       | 0.84        | 187,000             |
| CAV13 L70 Lumen Maintenance @ 50°C / 122°F |             | 1.00          | 0.94       | 0.87       | 0.74        | 117,000             |
| CAV13 L80 Lumen Maintenance @ 40°C / 104°F |             | 1.00          | 0.97       | 0.93       | 0.87        | 151,000             |

| Data shown for 5000 CCT<br>TM-21-11        | Input Watts | Compare to MH |            |            |             | Calculated LED Life |
|--|-------------|---------------|------------|------------|-------------|---------------------|
|  |             | Initial       | 25,000 Hrs | 50,000 Hrs | 100,000 Hrs |                     |
| CAV14 L70 Lumen Maintenance @ 25°C / 77°F  | 27          | 1.00          | 0.96       | 0.92       | 0.84        | 187,000             |
| CAV14 L70 Lumen Maintenance @ 50°C / 122°F |             | 1.00          | 0.93       | 0.87       | 0.73        | 113,000             |
| CAV14 L80 Lumen Maintenance @ 40°C / 104°F |             | 1.00          | 0.97       | 0.93       | 0.86        | 144,000             |