



BOLLARD LIGHTING



Specifications and Features:

Radiant™ LED

- Conformal Coating LED light engine
- CCT: Amber, LPS (1800K), 2200K, 2700K, 3000K, 4000K, 5000K
- Static Colors Available - Contact Factory

Optical

- Type II, III, IV, V

Electrical

- Electronic Driver, 120-277V, 50/60Hz or 347/480V, 50/60Hz
- 0-10v Dimmable Driver
- Standard Surge Protection included (6kV line-line; 10k-V line-earth)

Controls (Optional)

- Button Eye Photo Control (PC)
- House Side Shield (H)

Housing

Decorative cast aluminum base with lantern top or open flutes in midsection

Finish

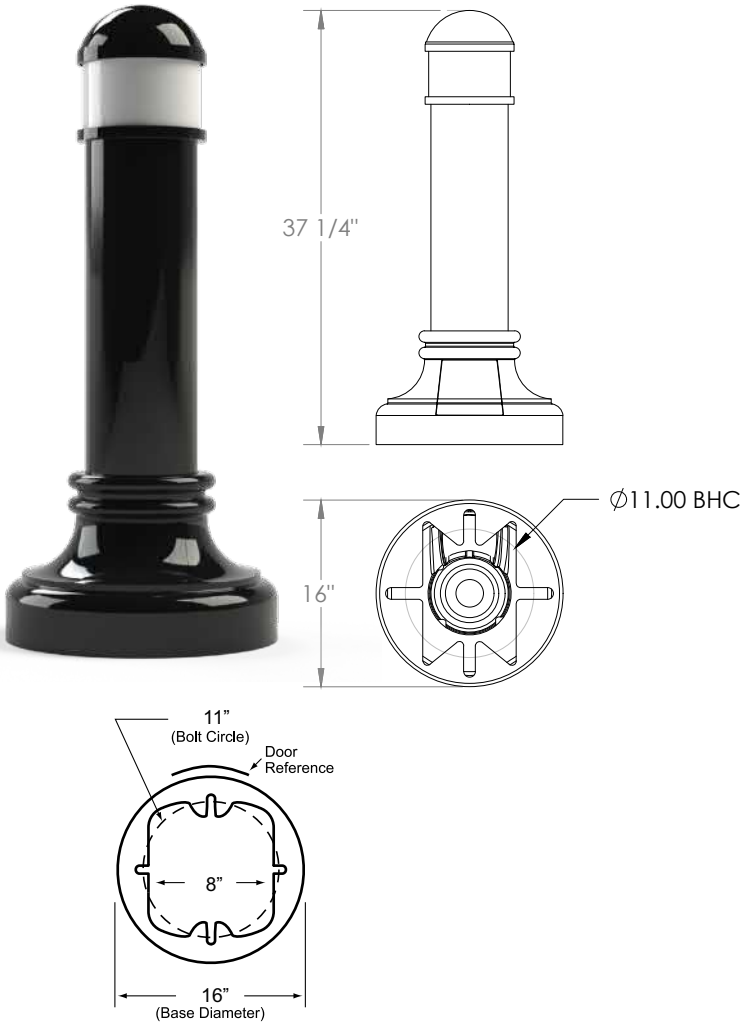
- Super durable polyester powder coat finish.
- Custom finishes available, including patinas and all RAL colors

Listing & Ratings

- ETL listed to UL 1598 standard for wet location
- LED is IP66 Rated

Warranty

- 5 year limited warranty



Order Information Example:

CAV416LTWA20W3KU5PCBK

CAV416							
Model	Style	Globe/Lens	LED Module	Voltage	Distribution	Options	Finish (Standard Colors)
CAV-416=Cavalier 416	NI=Non-Illuminated LT=Lantern Top	WA=White/Opal Acrylic FA=Frosted Acrylic	See Chart on Page 2	U=120-277V H=347/480V	2=Type II 3=Type III 4=Type IV 5=Type V	N=None PC=Button Eye Photo Control H=House Side Shield USB=Dual USB Port* GFIC=GFI in-use cover, cast aluminum* GFIP=GFI in-use cover, plastic* EB=Eyebolt mounted on bollard* BT=Ball Top (NI version only) DT=Dome Top (NI version only) AF=Acorn Finial (NI version only)	BK=Black BZ=Bronze DBZ=Dark Bronze WH=White GR=Green SM=Silver Metallic GY=Light Gray TBK=Textured Black CC=Custom Color (Consult Factory)

*Indicate location



BOLLARD LIGHTING
 MADE IN THE USA

6" Radiant Lumen Chart

Initial lumen data

CCT	LED Module	Input Watts	Type 2	Type 3	Type 4	Type 5
5K	10W5K	10	1217	1186	1204	1190
	15W5K	15	1826	1780	1806	1785
	20W5K	20	2434	2373	2408	2380
4K	10W4K	10	1175	1145	1162	1148
	15W4K	15	1762	1717	1743	1723
	20W4K	20	2349	2290	2324	2297
3K	10W3K	10	1132	1103	1120	1107
	15W3K	15	1698	1655	1680	1660
	20W3K	20	2264	2207	2240	2213
27K	10W27K	10	1098	1070	1086	1073
	15W27K	15	1647	1605	1629	1610
	20W27K	20	2196	2141	2172	2147
22K	10W22K	10	1032	1006	1016	1009
	15W22K	15	1548	1509	1532	1514
	20W22K	20	2064	2012	2042	2018
LPS	10WLPS	10	981	956	970	959
	15WLPS	15	1471	1434	1455	1438
	20WLPS	20	1961	1912	1940	1917
AMBER	10WAM	10	838	817	829	819
	15WAM	15	1256	1225	1243	1228
	20WAM	20	1675	1633	1657	1638

This chart indicates INITIAL LUMENS. Lens choice will affect lumen output.

AVAILABLE IN STATIC COLORS - CONTACT FACTORY