



HIGH BAY

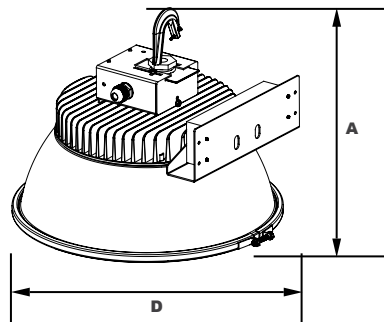
L70
 25°C 78,000 Hours



Microwave Sensor
 Factory Installed "M3"
 Option (120-277V Only)

Dimensions

Diameter (D)	16 1/4" (413mm)
Height (A)	13 1/4" (338mm)



Pemco's CSP30 Low Profile 16" Highbay is available with a choice of four lenses designed to replace HID lighting systems up to 400w MH. Typical high bay lighting applications include warehouses, manufacturing facilities, gymnasiums, indoor sports facilities, and retail and big box store lighting. Suitable for 10 to 30 foot mounting heights based on light level and uniformity requirements.

Specifications and Features:

Housing:

Die Cast Aluminum Housing with External Heat Sinks for Cooler Operating Temperatures. Externally Mounted Driver.

Listing & Ratings:

CSA: Listed for Dry Locations, ANSI/UL 1598, 8750; IP65 (with Lenses); IP44 (Open)

Finish:

White Powdercoat Finish Over a Chromate Conversion Coating. Custom Colors Available Upon Request.

Lens:

Can Be Used Without Lens or with Tempered Clear Flat Glass Lens, Acrylic Drop Lens, Acrylic Conical Lens, UV-Stabilized Polycarbonate Drop Lens

Mounting Options:

Mount with Included 3/4" Die Cast Hook. Adjustable Junction Box Also Accepts 3/4" Conduit.

COB LED:

QSSI Cool Copper COB

Wattage:

120w COB: 120w; System: 123w; (250w HID Equivalent)
 200w COB: 200w; System: 197w; (400w HID Equivalent)

Driver:

Electronic Driver, 120-277V, 50/60Hz or 347-480V, 50/60Hz (120w Model Only); Less Than 20% THD and PF>0.90. Standard Internal Surge Protection 6kV. 0-10V Dimming Standard for a Dimming Range of 100% to 10%; Dimming Source Current is 150 Microamps.

Controls:

Fixtures Ordered with Factory-Installed Photocell or Motion Sensor Controls are Internally Wired for Switching and/or 1-10V Dimming Within the Housing. Remote Direct Wired Interface of 1-10V Dimming is Not Implied and May Not Be Available, Please Consult Factory. Fixtures are Tested with LEPC Controls and May Not Function Properly With Controls Supplied By Others. Fixtures are NOT Designed for Use with Line Voltage Dimmers.

Warranty:

5-Year Warranty for -40°C to +50°C Environment.

See Page 4 for Projected Lumen Maintenance Table.





HIGH BAY

Order Information Example: CSP30C310X20U5KGWSP

CSP30C3		5K				
Model	Wattage	Driver	CCT	Lens	Color	Options
CSP30C3=C³ Low Profile 16" Highbay	6X20=120w 10X20=200w	U=120-277V H=347-480V* 120w Model Only	5K=5000K	N=No Lens G=Clear Flat Glass Lens C=Acrylic Conical Lens D=Acrylic Drop Lens B=UV-Stabilized Polycarbonate Drop Lens	W=White C=Custom (Consult Factory)	SF=Single Fuse* DF=Double Fuse* SP=Surge Protection M3= Microwave Sensor for Mounting Heights of 20 Feet or Above* CP6120W=6" White Cord, 3 Wire, L5-15P Twist-Lock Plug CP6277W=6" White Cord, 3 Wire, L7-15P Twist-Lock Plug C6600B=6" Black Cord, STW, 600VAC, 3 Wire, Leads C6600W=6" White Cord, STW, 600VAC, 3 Wire, Leads C4600B=4" Black Cord, SEOOW, 600VAC, 3 Wire, Leads *120-277V Models Only.

Lens Options:



CSP30C3 Shown with Tempered Clear Flat Glass Lens (G)



CSP30C3 Shown with Acrylic Drop Lens (D)



CSP30C3 Shown with UV-Stabilized Polycarbonate Drop Lens (B)



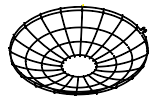
CSP30C3 Shown with Acrylic Conical Lens (C)

Accessories & Replacement Parts:

Accessories (Order Separately, Field Installed)

HBAR16WG Wire Guard, 16" for Use with Flat Glass Lenses.

CPSC Safety Cable, 3' Steel Cable with Clear Vinyl Coating, Steel Eye & Loop Ends.



HBAR16WG



CPSC

Replacement Parts (Order Separately, Field Installed)

HBDL16 16" LexaLite Clear Prismatic Acrylic Drop Lens. UV Stabilized, High-Efficiency Operation in General Applications.

HBPC16 16" UV-Stabilized Polycarbonate Drop Lens.

HBCL16 16" LexaLite Clear Prismatic Acrylic Conical Lens. UV-Stabilized, High-Efficiency Operation in General Applications.

HBGL16 16" Tempered Clear Flat Glass Lens

HBCB16 16" Clampband

CPMH1 Die Cast Hook with ¼" NPS Threads

P17116 Microwave Sensor for Mounting Heights of 20 Feet or Above (120-277V Only).

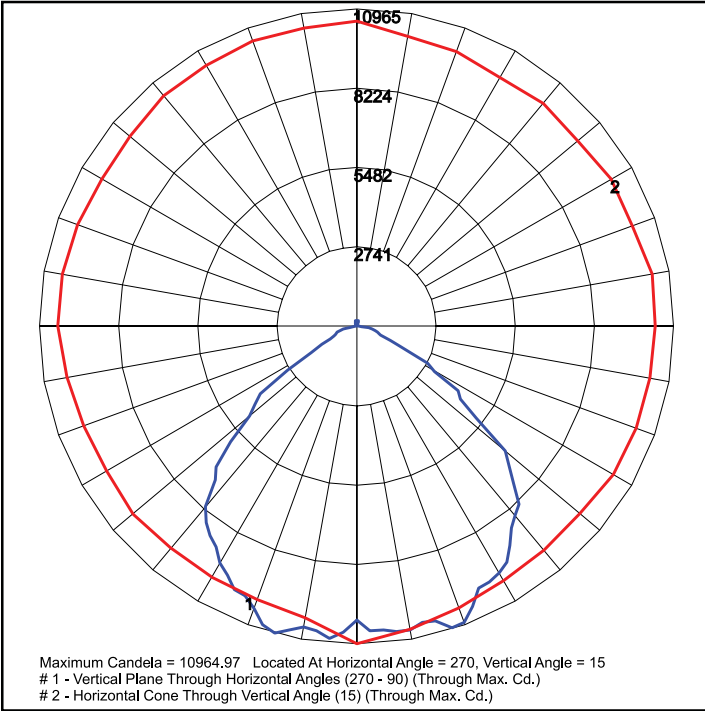


P17116

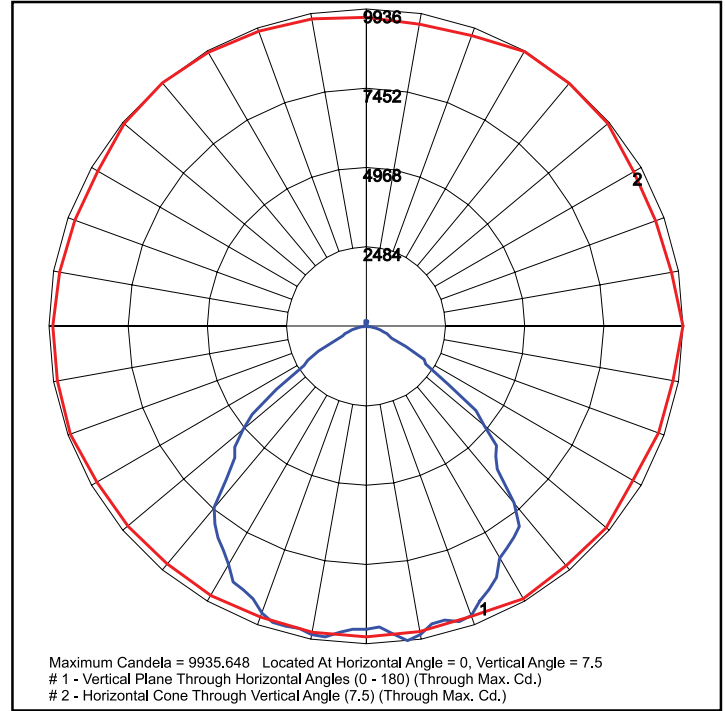


H I G H B A Y

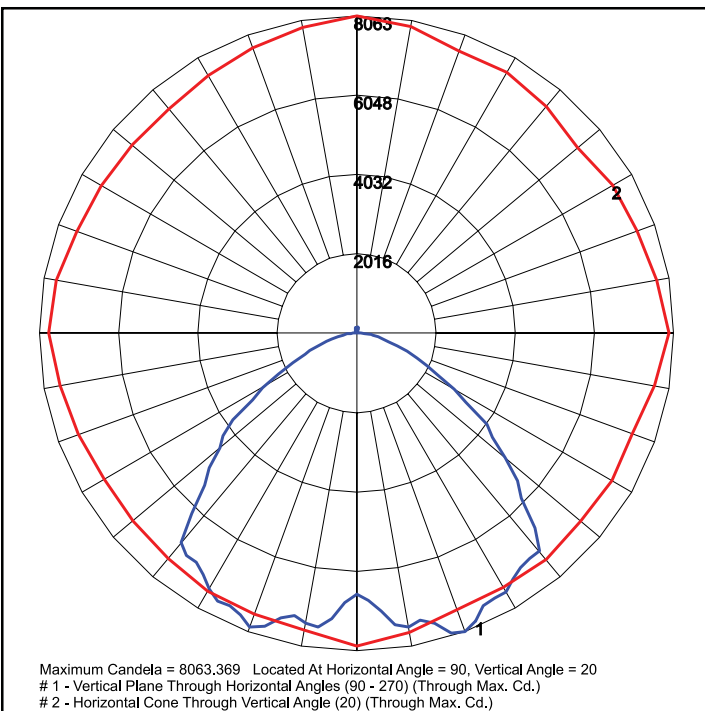
Photometric Data



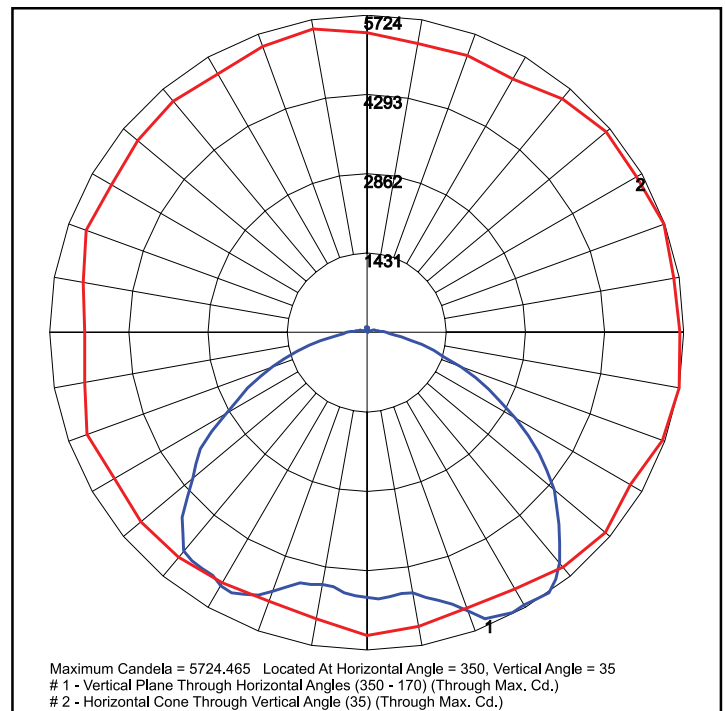
CSP30C310X20U5KG -
Clear Glass Lens



CSP30C310X20U5KG -
Clear Glass Lens



CSP30C310X20U5KC -
Acrylic Conical Lens



CSP30C310X20U5KD -
Acrylic Drop Lens



H I G H B A Y

Photometric Performance

LED COB Watts	Drive Current (mA)	Input Watts	Spacing Criteria	5000 CCT 80 CRI	
				Lumens	LPW
COB LED 120w with No Lens (N)	525	123	1.32	15,184	123
COB LED 120w with Clear Glass (G)			1.34	13,809	112
COB LED 120w with Acrylic Conical Lens (C)			1.58	13,136	112
COB LED 120w with Acrylic Drop Lens (D)			1.70	11,689	95
COB LED 200w with No Lens (N)		197	1.32	25,306	128
COB LED 200w with Clear Glass (G)			1.34	22,349	113
COB LED 200w with Acrylic Conical Lens (C)			1.58	21,893	111
COB LED 200w with Acrylic Drop Lens (D)			1.70	19,482	99

Projected Lumen Maintenance

Data shown for 5000 CCT TM-21-11	Input Watts	Compare to MH				Calculated LED Life
		Initial	25,000 Hrs	50,000 Hrs	100,000 Hrs	
L70 Lumen Maintenance @ 25°C / 77°F	All wattages up to and including 197w	1.00	0.90	0.81	0.62	78,000
L70 Lumen Maintenance @ 50°C / 122°F		1.00	0.87	0.73	0.46	56,000
L80 Lumen Maintenance @ 40°C / 104°F		1.00	0.88	0.77	0.53	43,000

NOTES:
 1. Projected per IESNA TM-21-11. Data references the extrapolated performance projections for the base model in a 25°C ambient, based on 10,000 hours of LED testing per IESNA LM-80-08.
 2. Compare to MH box indicates suggested Light Loss Factor (LLF) to be used when comparing to Metal Halide (MH) systems.