



LED PENDANT MOUNT



Shown with W1 Shade and Solid Midsection

Specifications and Features:

Radiant™ LED

- Conformal Coating LED light engine
- CCT: Amber, LPS (1800K), 2200K, 2700K, 3000K, 4000K, 5000K
- Static Colors Available - Contact Factory

Distribution

- Types I* II, III, IV, V (Type I available in 70w & higher only)
- Full Cutoff

Electrical

- Electronic Driver, 120-277V, 50/60Hz or 347/480V, 50/60Hz
- 0-10v Dimmable Driver
- Standard Surge Protection included (6kV line-line; 10k-V line-earth)

Controls (Optional)

- Button eye photo control (PC)
- House Side Shield (H)

Housing

- Cast aluminum upper dome & spun aluminum lower shade

Finish

- Super durable polyester powder coat finish. Custom finishes available, including patinas and all RAL colors.

Listings & Ratings

- ETL listed to UL 1598 standard for wet location.
- LED is IP66 Rated

Warranty

- 5 year limited warranty

EPA: 1.95

WEIGHT: 27 lbs

| Order Information Example: | | WINW1NL70W4KU3SMSPENNBZ | | | |
|--|---|--|--|--------------------------|--|
| WIN | | | | | |
| Model | Shades | Globe/Lens | LED Module | Voltage | Distribution |
| WIN=Winston Radiant | W1=Flared W2=Rounded W4=Non-Flared | NL=No Secondary Lens | See Chart on Page 2 | U=120-277V H=347/480V | 1=Type I* 2=Type II 3=Type III 4=Type IV 5=Type V *70W & above only |
| Midsections & Accents | Mounting | Options | Finish | | |
| SMS=Solid Midsection 4W=4 Window Midsection 16W=16 Window Midsection LM=Louvered Midsection CR=Cast Rings (4) NMS=No Midsection | PEN=Top Mount (Standard) SMPR=Side Mount, Round Pole SMPS=Side Mount, Square Pole SMW=Side Mount, Wall | PC=Button Eye Photo Control H=House Side Shield N=None | BK=Black BZ=Bronze DBZ=Dark Bronze WH=White GR=Green SM=Silver Metallic GY=Light Gray TBK=Textured Black CC=Custom Color (Consult Factory) | | |



LED PENDANT MOUNT



13" Radiant™



12" Radiant™



8" Radiant™

| Photometric Data | | | | | | | | | | | | | | | | |
|------------------|------------|-------------|----------------|-------|---------------|---------------|--------|---------------|--------|------------|----------|------------|----------|------------|----------|----------|
| CCT | LED Module | Input Watts | Efficacy Range | | Type 1 | BUG Rating | Type 2 | BUG Rating | Type 3 | BUG Rating | Type 4 | BUG Rating | Type 5 | BUG Rating | | |
| 5K | 10W5K | 10 | 119.3 | 122.5 | NOT AVAILABLE | | 1249 | 80-U0-G0 | 1251 | B1-U0-G1 | 1233 | 80-U0-G0 | 1255 | B1-U0-G0 | | |
| | 15W5K | 15 | 119.3 | 122.5 | | | 1881 | B1-U0-G0 | 1885 | B1-U0-G1 | 1857 | B1-U0-G1 | 1889 | B1-U0-G0 | | |
| | 20W5K | 20 | 119.3 | 122.5 | | | 2513 | B1-U0-G1 | 2518 | B1-U0-G1 | 2481 | B1-U0-G1 | 2524 | B2-U0-G0 | | |
| | 30W5K | 30 | 119.3 | 122.5 | | | 3762 | B1-U0-G1 | 3769 | B1-U0-G1 | 3714 | B1-U0-G1 | 3779 | B2-U0-G1 | | |
| | 40W5K | 40 | 119.3 | 122.5 | | | 5025 | B1-U0-G1 | 5036 | B2-U0-G2 | 4962 | B1-U0-G2 | 5048 | B3-U0-G1 | | |
| | 50W5K | 50 | 119.3 | 122.5 | | | 6319 | B1-U0-G1 | 6333 | B2-U0-G2 | 6240 | B2-U0-G2 | 6348 | B3-U0-G1 | | |
| | 60W5K | 60 | 119.3 | 122.5 | | | 7523 | B2-U0-G1 | 7539 | B2-U0-G2 | 7428 | B2-U0-G2 | 7557 | B3-U0-G2 | | |
| | 70W5K | 70 | 119.3 | 122.5 | | | 8535 | B3-U0-G2 | 8727 | B2-U0-G1 | 8745 | B2-U0-G2 | 8617 | B2-U0-G2 | 8767 | B3-U0-G2 |
| | 80W5K | 80 | 119.3 | 122.5 | | | 9816 | B3-U0-G2 | 10036 | B2-U0-G2 | 10057 | B3-U0-G3 | 9909 | B2-U0-G2 | 10082 | B3-U0-G2 |
| | 90W5K | 90 | 119.3 | 122.5 | | | 11037 | B3-U0-G3 | 11285 | B2-U0-G2 | 11308 | B3-U0-G3 | 11142 | B2-U0-G2 | 11336 | B4-U0-G2 |
| | 105W5K | 105 | 119.3 | 122.5 | | | 12877 | B3-U0-G3 | 13165 | B2-U0-G2 | 13193 | B3-U0-G3 | 13000 | B3-U0-G3 | 13225 | B4-U0-G2 |
| | 120W5K | 120 | 119.3 | 122.5 | | | 14716 | B3-U0-G3 | 15046 | B2-U0-G2 | 15077 | B3-U0-G3 | 14857 | B3-U0-G3 | 15115 | B4-U0-G2 |
| | 135W5K | 135 | 119.3 | 122.5 | | | 16556 | B4-U0-G3 | 16927 | B3-U0-G2 | 16962 | B3-U0-G3 | 16714 | B3-U0-G3 | 17004 | B4-U0-G2 |
| | 4K | 10W4K | 10 | 109.3 | | | 112.3 | NOT AVAILABLE | | 1145 | 80-U0-G0 | 1147 | B1-U0-G1 | 1130 | 80-U0-G0 | 1150 |
| 15W4K | | 15 | 109.3 | 112.3 | 1724 | B1-U0-G0 | 1728 | | | B1-U0-G1 | 1702 | B1-U0-G1 | 1732 | B1-U0-G0 | | |
| 20W4K | | 20 | 109.3 | 112.3 | 2303 | B1-U0-G1 | 2308 | | | B1-U0-G1 | 2274 | B1-U0-G1 | 2314 | B2-U0-G0 | | |
| 30W4K | | 30 | 109.3 | 112.3 | 3448 | B1-U0-G1 | 3455 | | | B1-U0-G1 | 3405 | B1-U0-G1 | 3464 | B2-U0-G1 | | |
| 40W4K | | 40 | 109.3 | 112.3 | 4607 | B1-U0-G1 | 4616 | | | B1-U0-G1 | 4549 | B1-U0-G1 | 4628 | B3-U0-G1 | | |
| 50W4K | | 50 | 109.3 | 112.3 | 5793 | B1-U0-G1 | 5805 | | | B2-U0-G2 | 5720 | B1-U0-G2 | 5819 | B3-U0-G1 | | |
| 60W4K | | 60 | 109.3 | 112.3 | 6896 | B2-U0-G1 | 6910 | | | B2-U0-G2 | 6809 | B2-U0-G2 | 6928 | B3-U0-G1 | | |
| 70W4K | | 70 | 109.3 | 112.3 | 7824 | B3-U0-G2 | 8000 | | | B2-U0-G1 | 8016 | B2-U0-G2 | 7899 | B2-U0-G2 | 8036 | B3-U0-G2 |
| 80W4K | | 80 | 109.3 | 112.3 | 8998 | B3-U0-G2 | 9199 | | | B2-U0-G1 | 9219 | B2-U0-G2 | 9084 | B2-U0-G2 | 9241 | B3-U0-G2 |
| 90W4K | | 90 | 109.3 | 112.3 | 10117 | B3-U0-G2 | 10344 | | | B2-U0-G2 | 10366 | B3-U0-G3 | 10214 | B2-U0-G2 | 10391 | B4-U0-G2 |
| 105W4K | | 105 | 109.3 | 112.3 | 11804 | B3-U0-G3 | 12068 | | | B2-U0-G2 | 12093 | B3-U0-G3 | 11916 | B3-U0-G3 | 12123 | B4-U0-G2 |
| 120W4K | | 120 | 109.3 | 112.3 | 13490 | B3-U0-G3 | 13792 | | | B2-U0-G2 | 13821 | B3-U0-G3 | 13619 | B3-U0-G3 | 13855 | B4-U0-G2 |
| 135W4K | | 135 | 109.3 | 112.3 | 15176 | B4-U0-G3 | 15516 | | | B2-U0-G2 | 15549 | B3-U0-G3 | 15321 | B3-U0-G3 | 15587 | B4-U0-G2 |
| 3K | | 10W3K | 10 | 99.4 | 102.1 | NOT AVAILABLE | | | | 1041 | 80-U0-G0 | 1043 | B1-U0-G1 | 1028 | 80-U0-G0 | 1045 |
| | 15W3K | 15 | 99.4 | 102.1 | 1567 | | | B1-U0-G0 | 1571 | B1-U0-G1 | 1548 | B1-U0-G1 | 1574 | B1-U0-G0 | | |
| | 20W3K | 20 | 99.4 | 102.1 | 2094 | | | B1-U0-G1 | 2098 | B1-U0-G1 | 2068 | B1-U0-G1 | 2103 | B2-U0-G0 | | |
| | 30W3K | 30 | 99.4 | 102.1 | 3135 | | | B1-U0-G1 | 3141 | B1-U0-G1 | 3095 | B1-U0-G1 | 3149 | B2-U0-G1 | | |
| | 40W3K | 40 | 99.4 | 102.1 | 4188 | | | B1-U0-G1 | 4197 | B1-U0-G1 | 4135 | B1-U0-G1 | 4207 | B3-U0-G1 | | |
| | 50W3K | 50 | 99.4 | 102.1 | 5266 | | | B1-U0-G1 | 5277 | B2-U0-G2 | 5200 | B1-U0-G2 | 5290 | B3-U0-G1 | | |
| | 60W3K | 60 | 99.4 | 102.1 | 6269 | | | B1-U0-G1 | 6282 | B2-U0-G2 | 6190 | B2-U0-G2 | 6298 | B3-U0-G1 | | |
| | 70W3K | 70 | 99.4 | 102.1 | 7113 | | | B3-U0-G2 | 7272 | B2-U0-G1 | 7287 | B2-U0-G2 | 7181 | B2-U0-G2 | 7306 | B3-U0-G2 |
| | 80W3K | 80 | 99.4 | 102.1 | 8180 | | | B3-U0-G2 | 8363 | B2-U0-G1 | 8381 | B2-U0-G2 | 8258 | B2-U0-G2 | 8401 | B3-U0-G2 |
| | 90W3K | 90 | 99.4 | 102.1 | 9198 | | | B3-U0-G2 | 9404 | B2-U0-G1 | 9423 | B3-U0-G3 | 9285 | B2-U0-G2 | 9447 | B3-U0-G2 |
| | 105W3K | 105 | 99.4 | 102.1 | 10731 | | | B3-U0-G2 | 10971 | B2-U0-G2 | 10994 | B3-U0-G3 | 10833 | B2-U0-G2 | 11021 | B4-U0-G2 |
| | 120W3K | 120 | 99.4 | 102.1 | 12264 | | | B3-U0-G2 | 12539 | B2-U0-G2 | 12565 | B3-U0-G3 | 12381 | B3-U0-G3 | 12596 | B4-U0-G2 |
| | 135W3K | 135 | 99.4 | 102.1 | 13796 | | | B3-U0-G3 | 14106 | B2-U0-G2 | 14135 | B3-U0-G3 | 13928 | B3-U0-G3 | 14170 | B4-U0-G2 |
| | 27K | 10W27K | 10 | 96.4 | 99 | | | NOT AVAILABLE | | 1009 | 80-U0-G0 | 1012 | 80-U0-G0 | 997 | 80-U0-G0 | 1014 |
| 15W27K | | 15 | 96.4 | 99 | 1520 | B1-U0-G0 | 1523 | | | B1-U0-G1 | 1501 | B1-U0-G1 | 1527 | B1-U0-G0 | | |
| 20W27K | | 20 | 96.4 | 99 | 2031 | B1-U0-G0 | 2035 | | | B1-U0-G1 | 2006 | B1-U0-G1 | 2040 | B2-U0-G0 | | |
| 30W27K | | 30 | 96.4 | 99 | 3041 | B1-U0-G1 | 3047 | | | B1-U0-G1 | 3002 | B1-U0-G1 | 3054 | B2-U0-G1 | | |
| 40W27K | | 40 | 96.4 | 99 | 4062 | B1-U0-G1 | 4071 | | | B1-U0-G1 | 4011 | B1-U0-G1 | 4081 | B3-U0-G1 | | |
| 50W27K | | 50 | 96.4 | 99 | 5108 | B1-U0-G1 | 5119 | | | B2-U0-G2 | 5044 | B1-U0-G2 | 5131 | B3-U0-G1 | | |
| 60W27K | | 60 | 96.4 | 99 | 6081 | B1-U0-G1 | 6094 | | | B2-U0-G2 | 6005 | B2-U0-G2 | 6109 | B3-U0-G1 | | |
| 70W27K | | 70 | 96.4 | 99 | 6899 | B3-U0-G2 | 7054 | | | B2-U0-G1 | 7069 | B2-U0-G2 | 6965 | B2-U0-G2 | 7086 | B3-U0-G1 |
| 80W27K | | 80 | 96.4 | 99 | 7934 | B3-U0-G2 | 8112 | | | B2-U0-G1 | 8129 | B2-U0-G2 | 8010 | B2-U0-G2 | 8149 | B3-U0-G2 |
| 90W27K | | 90 | 96.4 | 99 | 8922 | B3-U0-G2 | 9122 | | | B2-U0-G1 | 9141 | B2-U0-G2 | 9007 | B2-U0-G2 | 9163 | B3-U0-G2 |
| 105W27K | | 105 | 96.4 | 99 | 10409 | B3-U0-G2 | 10642 | | | B2-U0-G2 | 10664 | B3-U0-G3 | 10508 | B2-U0-G2 | 10691 | B4-U0-G2 |
| 120W27K | | 120 | 96.4 | 99 | 11896 | B3-U0-G3 | 12162 | | | B2-U0-G2 | 12188 | B3-U0-G3 | 12009 | B3-U0-G3 | 12218 | B4-U0-G2 |
| 135W27K | | 135 | 96.4 | 99 | 13383 | B3-U0-G3 | 13683 | | | B2-U0-G2 | 13711 | B3-U0-G3 | 13510 | B3-U0-G3 | 13745 | B4-U0-G2 |

Please refer to the fixture's IES file for detailed information. Subject to change.



LED PENDANT MOUNT



W1 Shade, 4W Midsection



W1 Shade, 16W Midsection



W1 Shade, Louvered Midsection



W1 Shade, Solid Midsection



W2 Shade, 4W Midsection



W2 Shade, 16W Midsection



W2 Shade, Louvered Midsection



W2 Shade, Solid Midsection



W4 Shade, 4W Midsection



W4 Shade, 16W Midsection



W4 Shade, Louvered Midsection



W4 Shade, Solid Midsection



LED PENDANT MOUNT

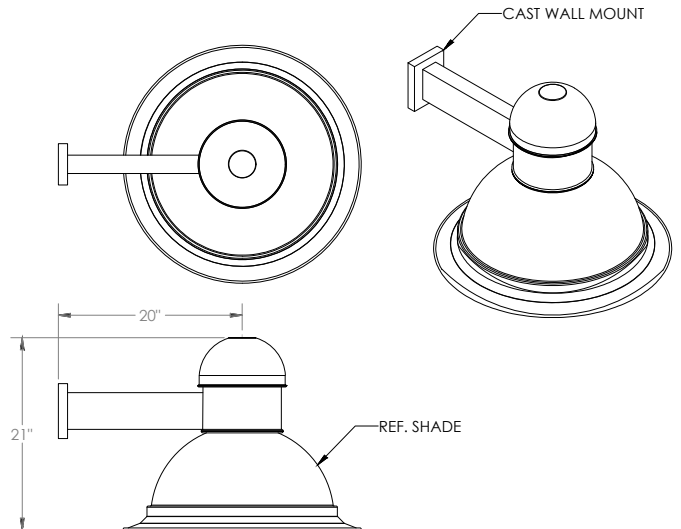
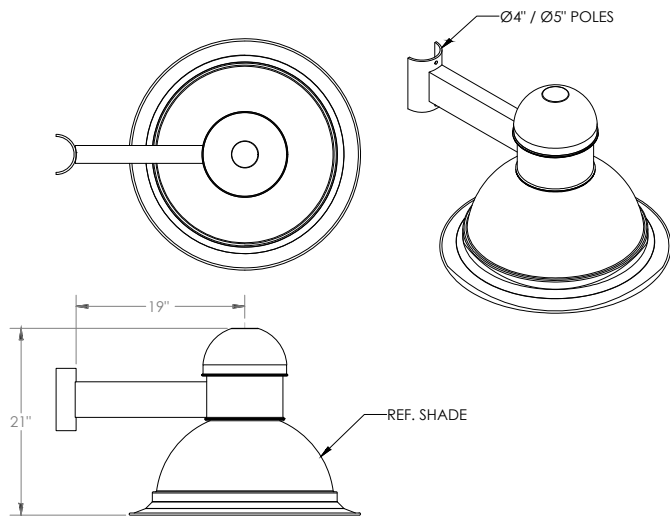


Cast Rings (shown with W1 Shade)

Pole Mount (SMPR/S)

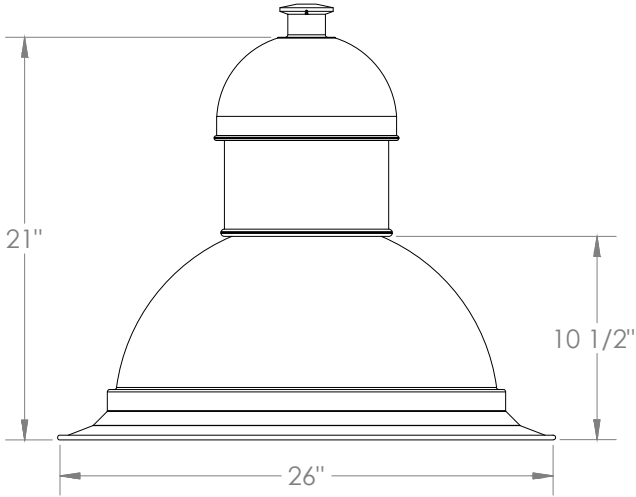


Side Mount, Wall (SMW)

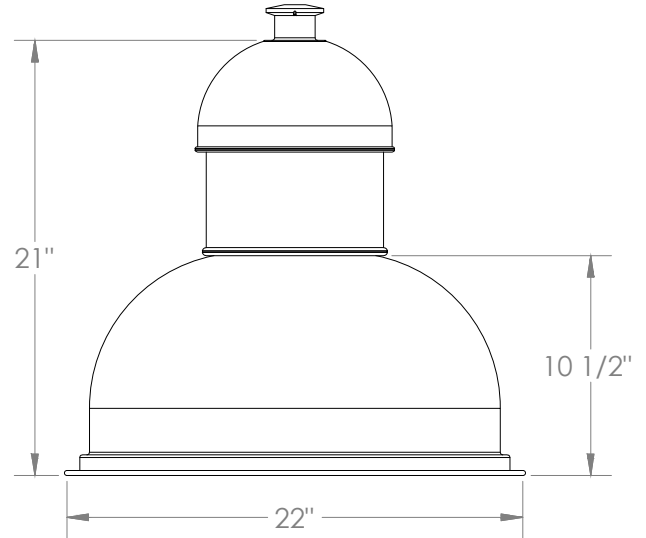




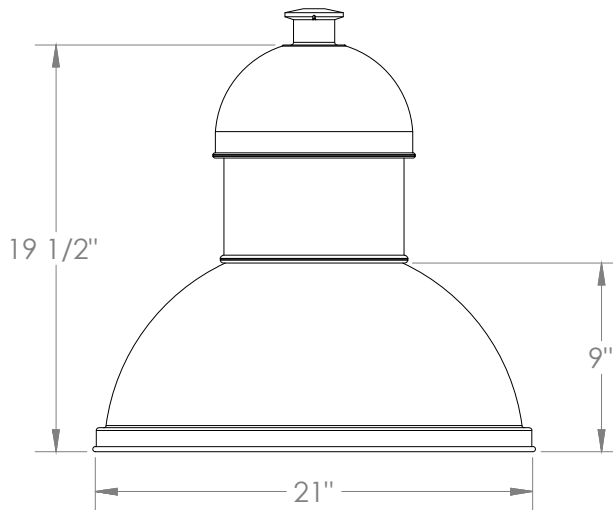
LED PENDANT MOUNT



W1 Shade



W2 Shade



W4 Shade