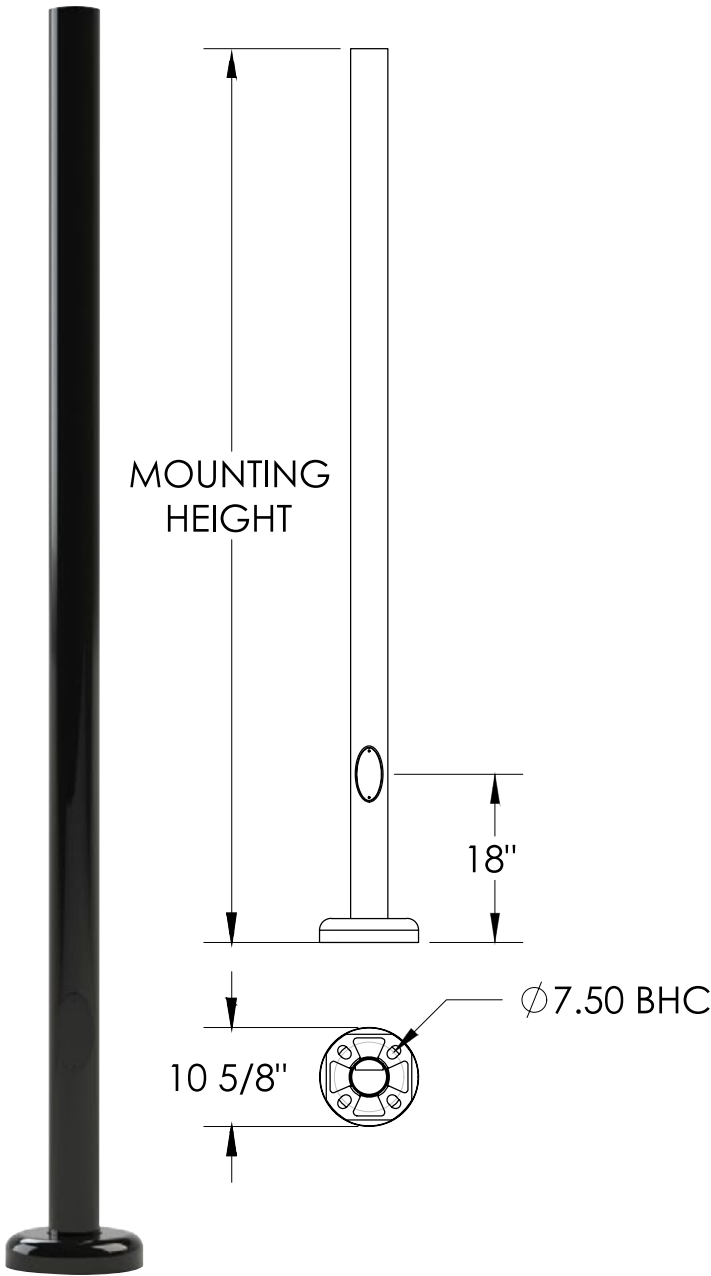




A L U M I N U M P O L E S
MADE IN THE USA



Specifications and Features:

- 8' to 20' standard mounting heights
- For single or multiple luminaire mounting
- Luminaires may be mounted on tenons, brackets or shaft may be drilled to manufacturer's mounting specifications

Structural Base

A356 alloy sand cast aluminum, four bolt base. A large access base cover is also available as an option. A grounding lug is also provided.

Handholes

All standards in this model range include a peripherally reinforced handhole centered 18" above the bottom of the standard. The opening in the 4" and 5" diameter standard measures 2 3/8" x 4 1/2".

Tenons

T300=Standard for post top (2 7/8" OD x 3" tall)

T355=Standard for shepherd's crook arms (2 7/8" OD x 5.5" tall)

CAP=Removable cap, no tenon

Anchor Bolts

Standard with each pole: includes four 3/4"-10x25" steel hot dip galvanized anchor bolts; each with two nuts, two flat washers and one lock washer.

Accessories

GFIC=Weatherproof GFI in-use cover, cast aluminum*

GFIP=Weatherproof GFI in-use cover, plastic*

USB=Dual USB Port*

SBC2=Split Spun Base Cover

*Must indicate location (See Orientation Guide on last page)

Finish

- Standard finishes: high gloss black, textured black, high gloss white, medium bronze, dark bronze, green, gray, silver metallic
- Premium finishes (adder): verde patina, pewter patina, silver sparkle, semi gloss or matte black
- Custom and Marine-grade finishes are available. All RAL colors are available to match (adder).

Warranty

5 year limited warranty



A L U M I N U M P O L E S



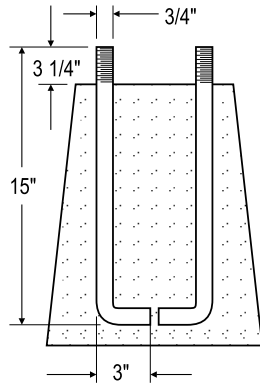
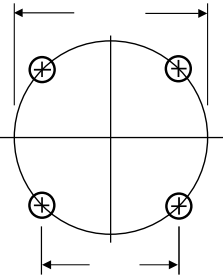
Quick Ship Quick Ship options in red

Order Information Example: 412AS125T300NBK

		A						
Diameter	Height	Model	Type	Wall Size	Tenon	Accessories	Finish	Anchor Bolts
4" straight 5" straight	8=8' 10=10' 12=12' 14=14' 16=16' 18=18' 20=20'	A=Anchor Base	S=Smooth F=Fluted	Refer Chart on Page 3	N=None T300=2 1/4" OD x 3" tall T355= 2 7/8" OD x 5.5" tall CAP=Removable cap, no tenon	N=None GFIC=GF1 in-use cover, cast aluminum* GFIP=GF1 in-use cover, plastic* USB=Dual USB Port* SBC2=Split Spun Base Cover *Indicate location	STANDARD FINISHES BK=Black BZ=Bronze DBZ=Dark Bronze WH=White GR=Green SM=Silver Metallic GY=Light Gray TBK=Textured Black Premium Colors (adder) SB=Satin Brushed VP=Verde Patina SS=Silver Sparkle PP=Pewter Patina CC=Custom Color (Consult Factory)	Leave blank if you need anchor bolts LAB=Less Anchor Bolts - Customer supplies own anchor bolts* *Customer is responsible for specifications of their own anchor bolts. Pemco does not assume any product warranty liability.

Anchor Base and Bolt Details

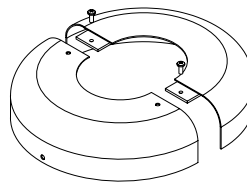
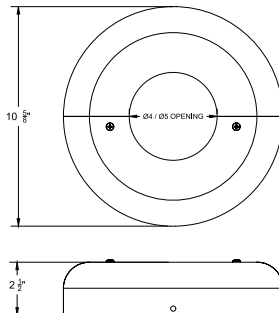
See chart for sizes



Pole Diameter	Bolt Circle	Bolt Projection	Bolt Size	Conduit Opening	Base Size
4"	7 1/2"	3 1/4"	3/4" x 25"	3 3/4"	9 1/4"
5"	7 1/2"	3 1/4"	3/4" x 25"	4 1/2"	9 1/4"

Actual anchor bolt size may differ slightly

Split Spun Base Cover (SBC2)





A L U M I N U M P O L E S



POLES	TYPICAL WEIGHT AND ALLOWABLE SIZE OF LUMINAIRES						DIMENSIONS OF STANDARDS			
	MODEL NUMBER	MOUNT HEIGHT	LUMINAIRES WEIGHT-LBS	EFFECTIVE PROJECTED AREA-SQ FT-AT:					STANDARD HEIGHT	OUTSIDE DIAMETER
			70 MPH	80 MPH	90 MPH	100 MPH	110 MPH			
48-A/125	8'	75	15.1	11.2	8.6	6.8	5.5	8'	4"	.125
48-A/188	8'	75	28.9	21.8	17.0	13.7	11.3	8'	4"	.188
410-A/125	10'	75	11.2	8.2	6.1	4.7	3.8	10'	4"	.125
410-A/188	10'	150	21.8	16.3	12.6	10.1	8.2	10'	4"	.188
510-A/125	10'	150	18.3	13.6	10.6	8.5	6.9	10'	5"	.125
412-A/125	12'	75	8.4	6.0	4.3	3.2	2.6	12'	4"	.125
412-A/188	12'	75	17.2	12.7	9.7	7.7	6.3	12'	4"	.188
512-A/125	12'	150	14.1	10.3	8.0	6.3	5.1	12'	5"	.125
512-A/156	12'	150	17.9	13.2	10.3	8.2	6.7	12'	5"	.156
512-A/188	12'	150	21.7	16.2	12.6	10.1	8.2	12'	5"	.188
414-A/125	14'	150	6.1	4.1	2.8	1.9	1.5	14'	4"	.125
414-A/188	14'	150	13.4	9.7	7.3	5.8	4.6	14'	4"	.188
514-A/125	14'	150	10.9	7.8	6.0	4.7	3.8	14'	5"	.125
514-A/156	14'	150	14.2	10.3	8.0	6.3	5.1	14'	5"	.156
514-A/188	14'	150	17.4	12.8	9.9	7.9	6.4	14'	5"	.188
416-A/125	16'	150	4.4	2.8	1.6	1.0	0.7	16'	4"	.125
416-A/188	16'	150	10.7	7.5	5.5	4.3	3.4	16'	4"	.188
516-A/125	16'	150	8.5	5.9	4.4	3.4	2.7	16'	5"	.125
516-A/156	16'	150	11.3	8.0	6.1	4.8	3.8	16'	5"	.156
516-A/188	16'	150	14.0	10.1	7.8	6.1	4.9	16'	5"	.188
418-A/188	18'	150	8.5	5.7	4.0	3.1	2.4	18'	4"	.188
518-A/125	18'	150	3.5	4.3	3.1	2.4	1.8	18'	5"	.125
518-A/156	18'	150	8.9	6.1	4.6	3.5	2.8	18'	5"	.156
518-A/188	18'	150	11.3	8.0	6.8	4.7	3.8	18'	5"	.188
520-A/125	20'	150	4.9	3.0	2.1	1.5	1.1	20'	5"	.125
520-A/156	20'	150	7.2	4.7	3.4	2.6	2.0	20'	5"	.156
520-A/188	20'	150	9.4	6.4	4.8	3.6	2.8	20'	5"	.188

*EPA calculations allow for 1.3 Gust Factor. **Standard includes factory installed vibration dampener.

Variations from standard sizes listed above, available upon inquiry at the factory.

Satisfactory performance of lighting standards is dependent upon the standard being properly attached to a supporting foundation of adequate design. PEMCO does not design or offer recommendations for foundations.