



**WALL MOUNT**

**L70**  
25°C **187,000 Hours**



**CAV24WD - Up/Down**  
(Shown with PC3 On Arm)

The Pemco EasyLED CAV24WD architectural triangle wall cylinder provides up/down lighting with combinations of narrow, medium and wide distributions designed to replace HID lighting systems from 100w MH or HPS. Typical wall mounted lighting applications include retail centers, industrial parks, schools and universities, public transit and airports, office buildings and medical facilities. Mounting heights of 8 to 16 feet can be used based on light level and uniformity requirements.

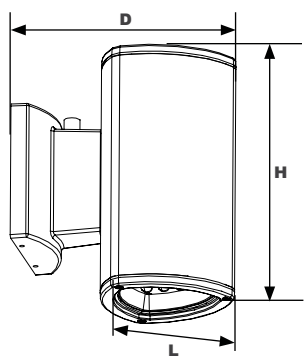
**Specifications and Features:**

- Housing:**  
Extruded Round Aluminum Housing with Built-in Heat Sinks.
- Listing & Ratings:**  
CSA: Listed for Wet Locations, ANSI/UL 1598, 8750; IP66 Sealed LED Compartment.
- Finish:**  
Textured Architectural Bronze or Black Powdercoat Finish Over a Chromate Conversion Coating. Custom Colors Available Upon Request.
- Lens:**  
Tempered Clear Flat Glass Lens
- Optics:**  
Wide, Medium and Narrow Distributions. Combinations Can Be Specified.
- Mounting Options:**  
Mount Over a 4" Recessed Outlet Box.
- EasyLED LED:**  
Aluminum Boards with Conformal Coating.

- Wattage:**  
Array: 30w, System: 31.3w; (Up to 100w HID Equivalent)
- Driver:**  
Electronic Driver, 120-277V, 50/60Hz; Less Than 20% THD and PF>0.90. Standard Internal Surge Protection 2kV. 0-10V Dimming Standard for a Dimming Range of 100% to 10%; Dimming Source Current is 150 Microamps.
- Controls:**  
Fixtures Ordered with Factory-Installed Photocell are Internally Wired for Switching and/or 1-10V Dimming Within the Housing. Remote Direct Wired Interface of 1-10V Dimming is Not Implied and May Not Be Available, Please Consult Factory. Fixtures are Tested with Pemco Controls and May Not Function Properly With Controls Supplied By Others. Fixtures are NOT Designed for Use with Line Voltage Dimmers.

**Warranty:**  
5-Year Warranty for -40°C to +50°C Environment.  
See Page 3 for Projected Lumen Maintenance Table.

Dimensions	
Depth (D)	8 7/8" (224mm)
Height (H)	12 5/8" (320mm)
Length <sup>3</sup> (L)	5 3/8" (138mm)





## WALL MOUNT

**Order Information Example:** CAV24WDWMQ2X15U4KZPC3

Model	Up Optics/Beam	Down Optics/Beam	LED	Wattage	Driver	CCT	Color	Options
<b>CAV24WD</b>			<b>Q</b>	<b>2X15</b>				
<b>CAV24WD</b> = LED Up/Down Triangle Wall Cylinder	<b>W</b> =Wide Beam, 100° Optics <b>M</b> =Medium Beam, 70° Optics <b>N</b> =Narrow Beam, 30° Optics	<b>W</b> =Wide Beam, 100° Optics <b>M</b> =Medium Beam, 70° Optics <b>N</b> =Narrow Beam, 30° Optics	<b>Q</b> =EasyLED Array	<b>2X15</b> =30w	<b>U</b> =120-277V <b>H</b> =347-480V	<b>3K</b> =3000K <b>4K</b> =4000K	<b>Z</b> =Bronze <b>B</b> =Black <b>C</b> =Custom (Consult Factory)	<b>SF</b> =Single Fuse* <b>DF</b> =Double Fuse* <b>SP</b> =Surge Protection <b>PC3</b> =Photocell, 120-277VAC <b>BU</b> =Battery Backup, 90 Minutes* <b>BUC</b> =Cold Start Battery Backup, -20°C, 90 Minutes*  *120-277V Models Only.

### Accessories & Replacement Parts:

#### Replacement Parts (Order Separately, Field Installed)

P18103 120-277VAC Photocell

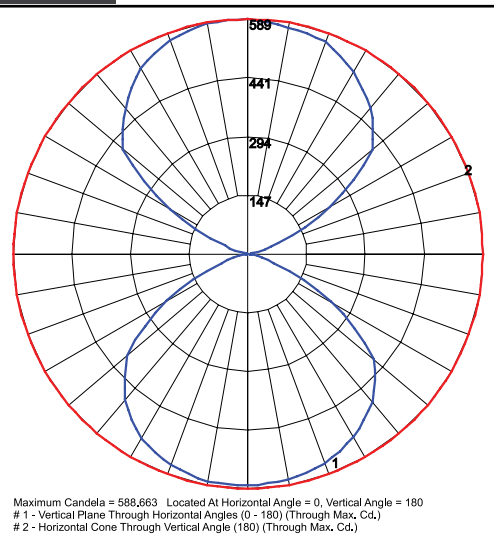
For Replacement Battery Backup, see the Pemco LED Battery Backup Specification Sheet.



P18103

### Photometric Data

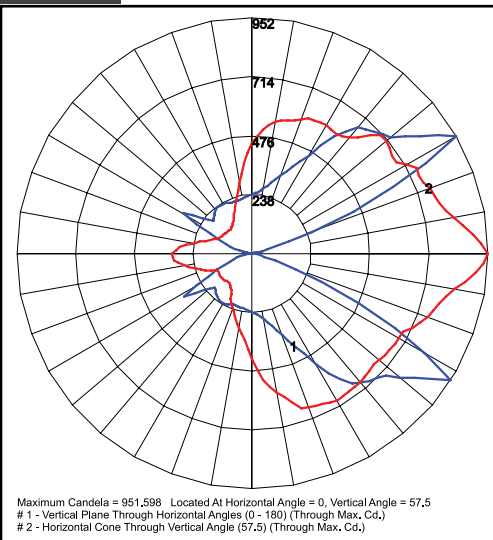
#### Wide



**CAV24WDWMQ2X15U4K**  
Wide (WW) 100° Optics Up and Down

Also Available With:  
WM=Wide UP, Medium DOWN  
WN=Wide UP, Narrow DOWN

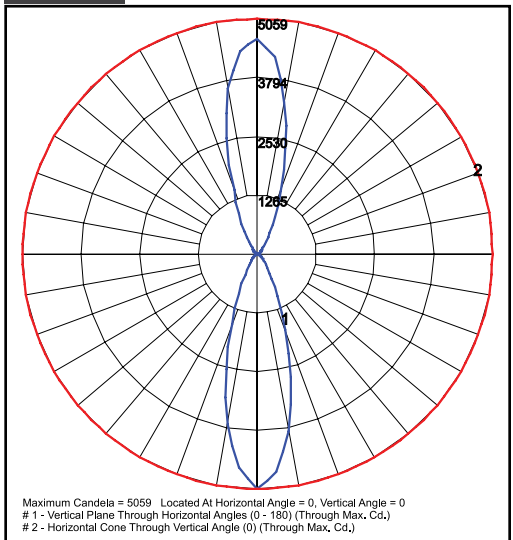
#### Medium



**CAV24WDMMQ2X15U4K**  
Medium (MM) 70° Optics Up and Down

Also Available With:  
MW=Medium UP, Wide DOWN  
MN=Medium UP, Narrow DOWN

#### Narrow



**CAV24WDNNQ2X15U4K**  
Narrow (NN) 30° Optics Up and Down

Also Available With:  
NW=Narrow UP, Wide DOWN  
NM=Narrow UP, Medium DOWN



**WALL MOUNT**

**Photometric Performance**

Optic	Wattage (Catalog Logic)	
	Input Watts	30W (2X15)
CAV24WDWW WW=100° Optics Up/Down	3000K	3,114
	4000K	3,214
	BUG Rating	B1-U5-G0
CAV24WDMM MM=70° Optics Up/Down	3000K	3,204
	4000K	3,307
	BUG Rating	B1-U5-G0
CAV24WDNN NN=30° Optics Up/Down	3000K	4,028
	4000K	4,158
	BUG Rating	B2-U5-G0

**Projected Lumen Maintenance**

Data shown for 4000 CCT	Input Watts	Compare to MH				Calculated LED Life
		Initial	25,000 Hrs	50,000 Hrs	100,000 Hrs	
L70 Lumen Maintenance @ 25°C / 77°F	31w	1.00	0.96	0.92	0.84	187,000
L70 Lumen Maintenance @ 50°C / 122°F		1.00	0.93	0.87	0.73	113,000
L80 Lumen Maintenance @ 40°C / 104°F		1.00	0.97	0.93	0.86	144,000

- NOTES:**  
 1. Projected per IESNA TM-21-11. Data references the extrapolated performance projections for the base model in a 25°C ambient, based on 10,000 hours of LED testing per IESNA LM-80-08.  
 2. Compare to MH box indicates suggested Light Loss Factor (LLF) to be used when comparing to Metal Halide (MH) systems.