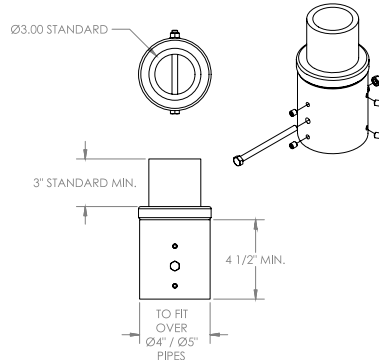
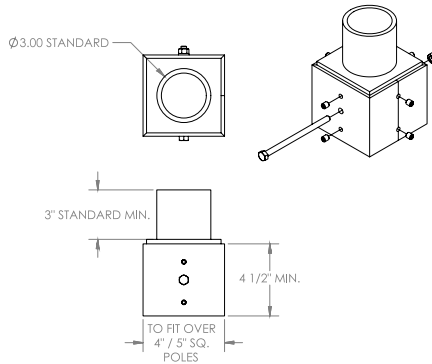




POLE OPTIONS



Round Tenon Adaptor (TAR)



Square Tenon Adaptor (TAS)

Specifications and Features:

Materials

Tenon Adaptors are constructed of aluminum. All hardware is stainless steel.

Installation

1. Loosen set screws (6x=TAR; 8x=TAS)
2. Remove hex bolt, washer and hex nut
3. Line Tenon Adaptor over pole in desired orientation/location
4. Drill thru hole for hex head bolt (1x @ 180°)
 - a. Use hex head bolt thru hole for drill template/guide
5. Tighten set screws, install/tighten hex bolt with washer and hex nut and install the fixture.

Requirements

To ensure a proper fit, the following information is required:

- What size is the fixture fitter ID?
- What is the OD of the pole the adaptor is fitting to?
- If there is an existing tenon in place to adapt to, please provide the length width & height needed.

Finish

Super durable polyester powder coat finish. Custom finishes available, including patinas and all RAL colors.

Warranty

5 year limited warranty

Order Information Example: TAR-3-4-BK

Model	Fixture ID	Pole OD	Finish
TAR=Tenon Adaptor, Round TAS=Tenon Adaptor, Square	Size of the Fixture Fitter ID (in inches) REQUIRED	OD of Pole the Adaptor is Fitting to (in inches) REQUIRED	STANDARD FINISHES BK=Black BZ=Bronze DBZ=Dark Bronze WH=White GR=Green SM=Silver Metallic GY=Light Gray TBK=Textured Black* CC=Custom Color (Consult Factory)