



LED PENDANT MOUNT



Wide Shade (B1)
 Deep Globe (ADG)



Narrow Shade (B2)
 Deep Globe (ADG)

Specifications and Features:

Opti-FLUX™ LED

- CCT: 2700K, 3000K, 4000K, 5000K

Distribution

- Types III & V

Electrical

- Electronic Driver, 120-277V, 50/60Hz or 347/480V, 50/60Hz
- 0-10v Dimmable Driver
- Standard Surge Protection Included; Surge Protection Device Meets IEEE C62.41 2002 C High 10kA

Controls (Optional)

- Button Eye Photo Control (PC)
- House Side Shield (H)

Housing

- Cast Aluminum Upper Housing & Spun Aluminum Lower Shade. The Luminaire Itself is Held in Place With a Mechanical Attachment & Connected to the Pole's Shaft by Means of a Cast Aluminum Hub Fitter, Welded to the Arm & Secured to the Shaft by 3 Set Screws.

Finish

- Super Durable Polyester Powder Coat Finish. Custom Finishes Available, Including Patinas and All RAL Colors.

Listings & Ratings

- ETL Listed to UL 1598 Standard for Wet Location.

Warranty

- 5 Year Limited Warranty

EPA: 2.4
 Weight: 35 lbs (Max.)

Order Information Example:			BRI2B1ADG96W5KU5PENPCBK					
Model	Spinning	Globe/Lens	LED Module	Voltage	Distribution	Mounting	Options	Finish
BRI2=Bristol Opti-FLUX	B1=Wide Shade B2=Narrow Shade	ADG=Clear Acrylic Deep Globe ASG=Clear Acrylic Short Globe GL=Short Prismatic Glass Lens DG=Deep Prismatic Glass Lens	See Lumen Output Chart	U=120-277V H=347/480V	3=Type III 5=Type V	PEN=Pendant Mount (Standard) Select Arm	PC=Button Eye Photo Control H=House Side Shield N=None	STANDARD FINISHES BK=Black BZ=Bronze DBZ=Dark Bronze WH=White GR=Green SM=Silver Metallic GY=Light Gray TBK=Textured Black CC=Custom Color (Consult Factory)



LED PENDANT MOUNT

Lumen Output



Inverted "Opti-FLUX™
 LED Light Engine"

OPTI-FLUX™ LED LIGHT ENGINE SPECIFICATIONS:

Lumen Output for Bristol 2						
CCT	LED Module	Input Watts	Lumens	System Efficacy	CRI	IES Distribution
5K	32W5K	32	4320	115	70	Type III, V
	40W5K	40	5400	115	70	Type III, V
	48W5K	48	6480	115	70	Type III, V
	56W5K	56	7560	115	70	Type III, V
	64W5K	64	8640	115	70	Type III, V
	72W5K	72	9720	115	70	Type III, V
	80W5K	80	10800	115	70	Type III, V
	88W5K	88	11880	115	70	Type III, V
	96W5K	96	12960	115	70	Type III, V
4K	32W4K	32	3736	110	70	Type III, V
	40W4K	40	4670	110	70	Type III, V
	48W4K	48	5604	110	70	Type III, V
	56W4K	56	6538	110	70	Type III, V
	64W4K	64	7442	110	70	Type III, V
	72W4K	72	8376	110	70	Type III, V
	80W4K	80	9310	110	70	Type III, V
	88W4K	88	10244	110	70	Type III, V
	96W4K	96	11178	110	70	Type III, V
3K	32W3K	32	3390	98	70	Type III, V
	40W3K	40	4220	98	70	Type III, V
	48W3K	48	5050	98	70	Type III, V
	56W3K	56	5880	98	70	Type III, V
	64W3K	64	6710	98	70	Type III, V
	72W3K	72	7540	98	70	Type III, V
	80W3K	80	8370	98	70	Type III, V
	88W3K	88	9200	98	70	Type III, V
	96W3K	96	10030	98	70	Type III, V

Please refer to the fixture's IES file for detailed information. Subject to change.



LED PENDANT MOUNT

Style Options



**Wide Shade (B1)
Deep Globe (ADG)**



**Wide Shade (B1)
Short Globe (ASG)**



**Narrow Shade (B2)
Deep Globe (ADG)**

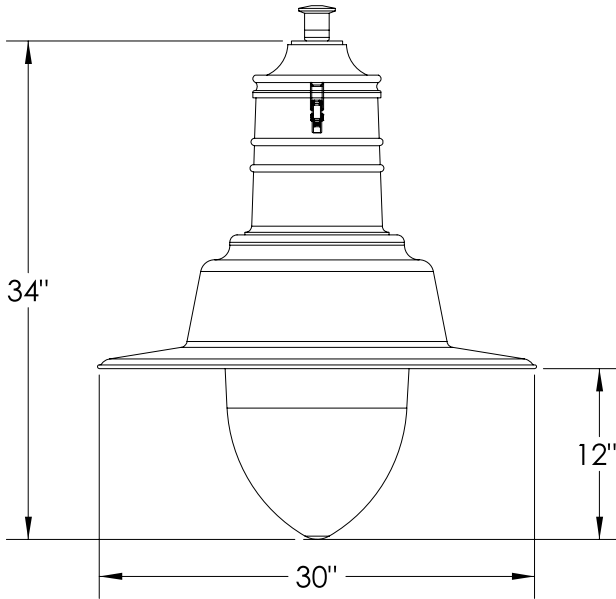


**Narrow Shade (B2)
Short Globe (ASG)**

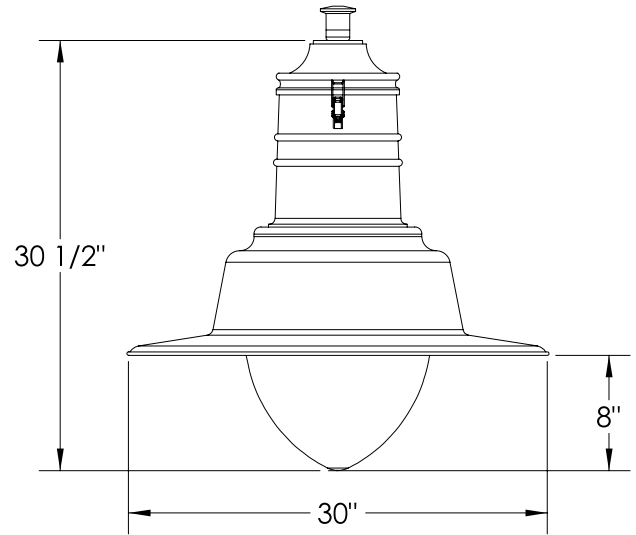


LED PENDANT MOUNT

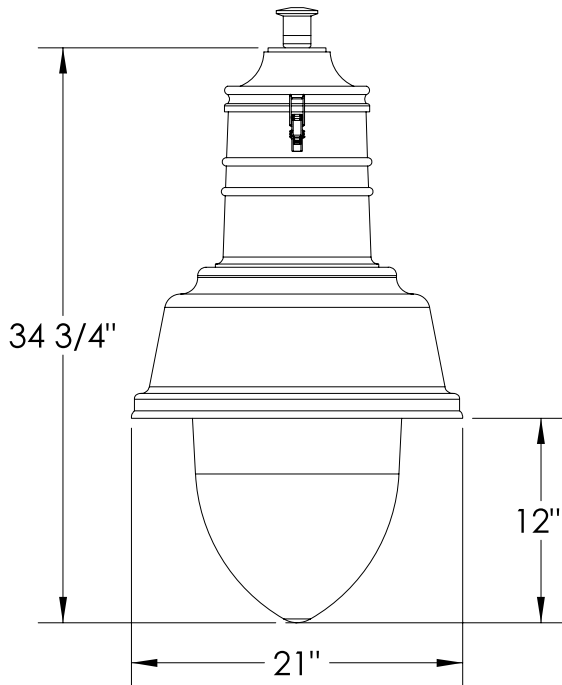
Dimensions



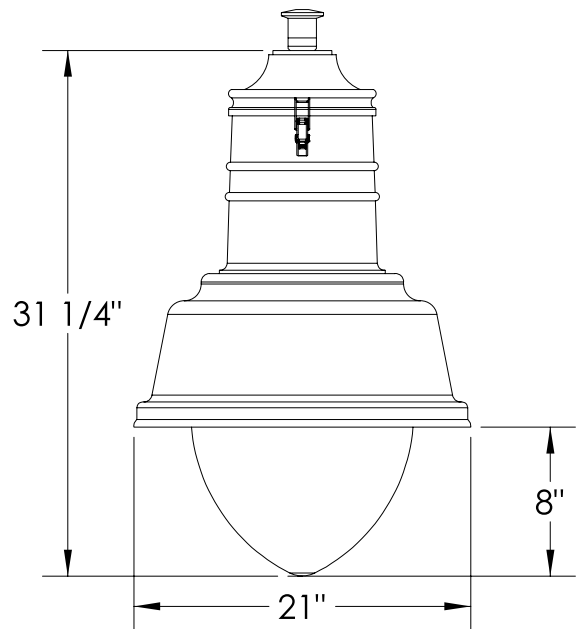
**Wide Shade (B1)
 Deep Globe (ADG)**



**Wide Shade (B1)
 Short Globe (ASG)**



**Narrow Shade (B2)
 Deep Globe (ADG)**



**Narrow Shade (B2)
 Short Globe (ASG)**