

UP OR DOWN LIGHT



L70
25°C **89,000 Hours**



Shown with "B" Wide Optic



Shown with "A"
Medium Optic



Shown with "D"
Narrow Optic

The Pemco CMPRS Turbine architectural wall cylinder provides up or down lighting with narrow, medium and wide distributions designed to replace HID lighting systems from up to 100w MH or HPS. Typical wall mounted lighting applications include retail centers, industrial parks, schools and universities, public transit and airports, office buildings and medical facilities. Mounting heights of 8 to 16 feet can be used based on light level and uniformity requirements.

Specifications and Features:

Housing:

Extruded Round Aluminum Housing with Built-in Heat Sinks.

Listing & Ratings:

CSA: Listed for Wet Locations, ANSI/UL 1598, 8750; IP66 Sealed LED Compartment.

Finish:

Textured Architectural Bronze or Black Powdercoat Finish Over a Chromate Conversion Coating. Custom Colors Available Upon Request.

Lens:

Tempered Clear Flat Glass Lens

Reflector:

Wide, Medium and Narrow Distributions

Mounting Options:

Mount Over a 4" Recessed Outlet Box.

COB LED:

QSSI Cool Copper COB

Wattage:

COB: 20w, System: 21w; (100w HID Equivalent)

Driver:

Electronic Driver, 120-277V, 50/60Hz; Less Than 20% THD and PF>0.90. Standard Internal Surge Protection 2kV. 0-10V Dimming Standard for a Dimming Range of 100% to 10%; Dimming Source Current is 150 Microamps.

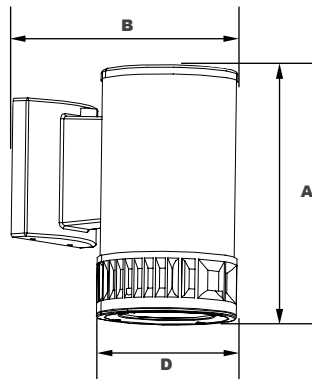
Controls:

Fixtures Ordered with Factory-Installed Photocell or Motion Sensor Controls are Internally Wired for Switching and/or 1-10V Dimming Within the Housing. Remote Direct Wired Interface of 1-10V Dimming is Not Implied and May Not Be Available, Please Consult Factory. Fixtures are Tested with Pemco Controls and May Not Function Properly With Controls Supplied By Others. Fixtures are NOT Designed for Use with Line Voltage Dimmers.

Warranty:

5-Year Warranty for -40°C to +50°C Environment.

See Page 3 for Projected Lumen Maintenance Table.



Dimensions

Diameter (D)	5¼" (146mm)
Length (B)	8⅞" (226mm)
Height (A)	10¼" (260mm)



Contact Factory
for DLC Listed
Part numbers

UP OR DOWN LIGHT



Order Information Example:

CMPRSAC31X20U41KZSP

Model	Optics	LED	Wattage	Driver	CCT	Color	Options
CMPRS=LED Down Wall Cylinder CMPRSU=LED Up Wall Cylinder	A=70° Reflector B=100° Reflector D=30° Reflector	C3=QSSI COB	1X20=20w	U=120-277V	41K=4100K	Z=Bronze B=Black C=Custom (Consult Factory)	SF=Single Fuse* DF=Double Fuse* SP=Surge Protection PC3=Photocell, 120-277VAC BU=Battery Backup, 90 Minutes* BUC=Cold Start Battery Backup, -20°C, 90 Minutes* *120-277V Models Only.

Accessories & Replacement Parts:

Replacement Parts (Order Separately, Field Installed)

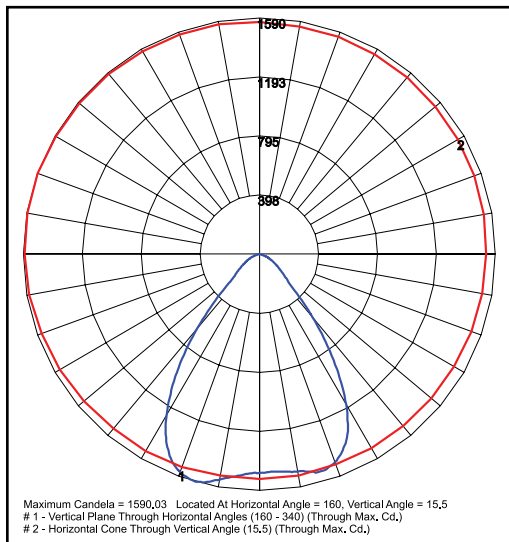
P18103 120-277VAC Photocell

For Replacement Battery Backup, see the Pemco LED Battery Backup Specification Sheet.

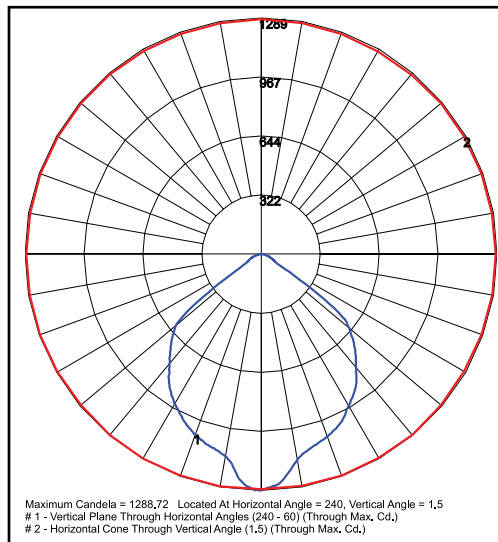


P18103

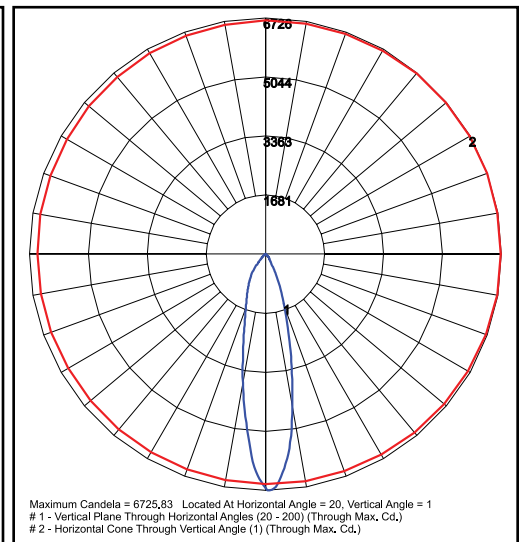
Photometric Data



CMPRSAC31X20U41K
70° Reflector



CMPRSBC31X20U41K
100° Reflector



CMPRSDC31X20U41K
30° Reflector



UP OR DOWN LIGHT

Photometric Performance

LED Board Watts	Drive Current (mA)	Input Watts	Beam	4100 CCT 80 CRI				
				Lumens	LPW	B	U	G
LED COB 20w	525	21	A Medium	2,309	110	2	1	0
			B Wide	2,364	113	1	1	0
			D Narrow	2,209	105	2	1	0

Projected Lumen Maintenance

Data shown for 4100 CCT TM-21-11	Input Watts	Compare to MH				Calculated LED Life
		Initial	25,000 Hrs	50,000 Hrs	100,000 Hrs	
L70 Lumen Maintenance @ 25°C / 77°F	21	1.00	0.92	0.83	0.66	89,000
L70 Lumen Maintenance @ 50°C / 122°F		1.00	0.90	0.81	0.62	78,000
L80 Lumen Maintenance @ 40°C / 104°F		1.00	0.93	0.86	0.72	72,000

- NOTES:**
 1. Projected per IESNA TM-21-11. Data references the extrapolated performance projections for the base model in a 25°C ambient, based on 10,000 hours of LED testing per IESNA LM-80-08.
 2. Compare to MH box indicates suggested Light Loss Factor (LLF) to be used when comparing to Metal Halide (MH) systems.